



IPC

Spare parts list

Ref: ASDO14096

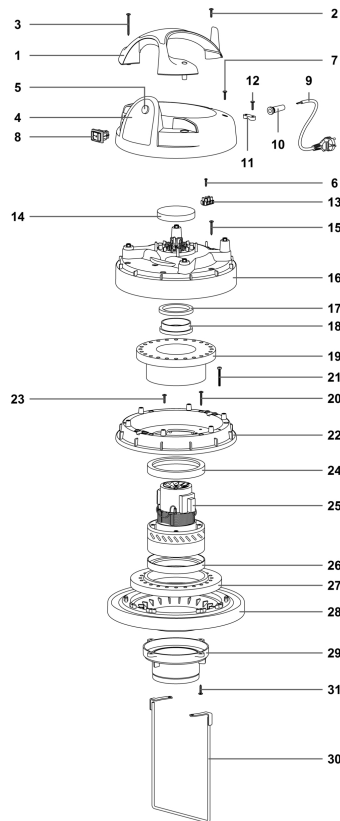
Model: VACUUM GS1/33HC TOPPER 515/33 C/



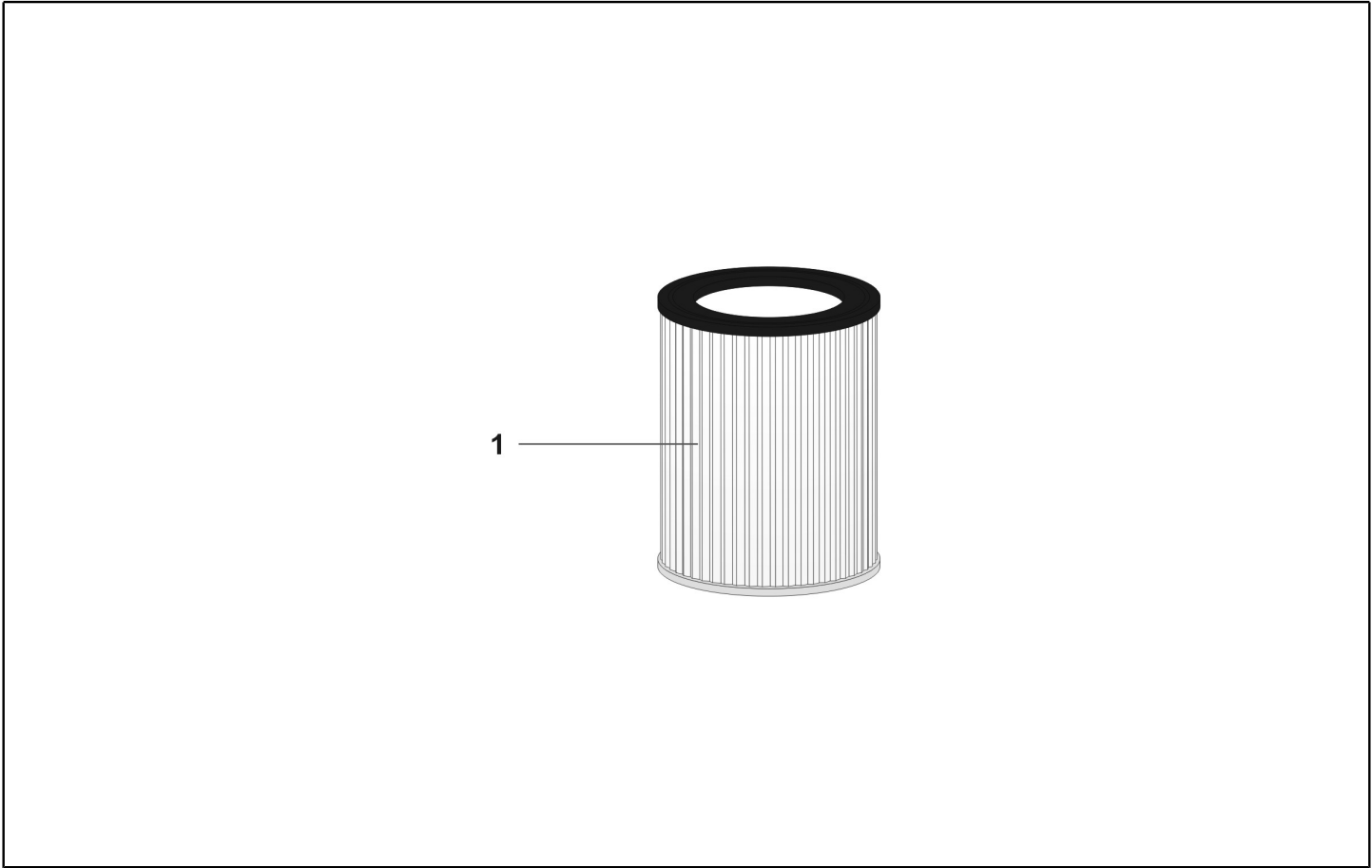
IPC Integrated Professional Cleaning

IPC Soteco

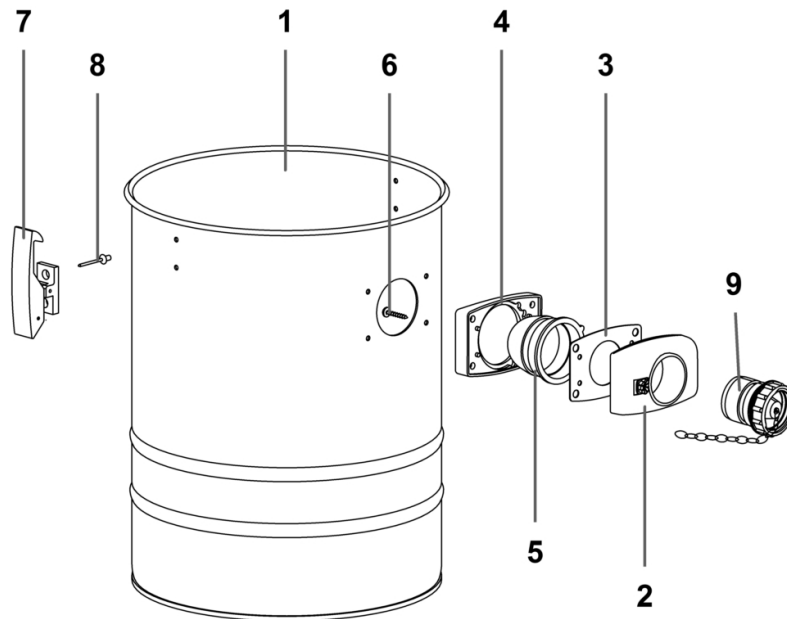
Ref. K	Part n.	Part n. 2	Description	Quantity	Validity		Price
					From	To	
0001	PMTA09382		HEAD TOPPER 215/515 SL C/P G5/	1,00			--
0002	FTDP00848		CARTRIDGE HEPA D175x118 H250 H14GF	1,00			--
0003	PMFU02940		TANK 500/33W A430 NE/G5 C/TAPP	1,00			--
0004	MPVR40524		TROLLEYVEGAS TROLLEY 500 COMPLET	1,00			--
0005	PMDT00565		ACCESS.KIT 38 DRY	1,00			--
0006	FTDP00327		BAG/FILTER T452SA 500 SERIES	1,00			--



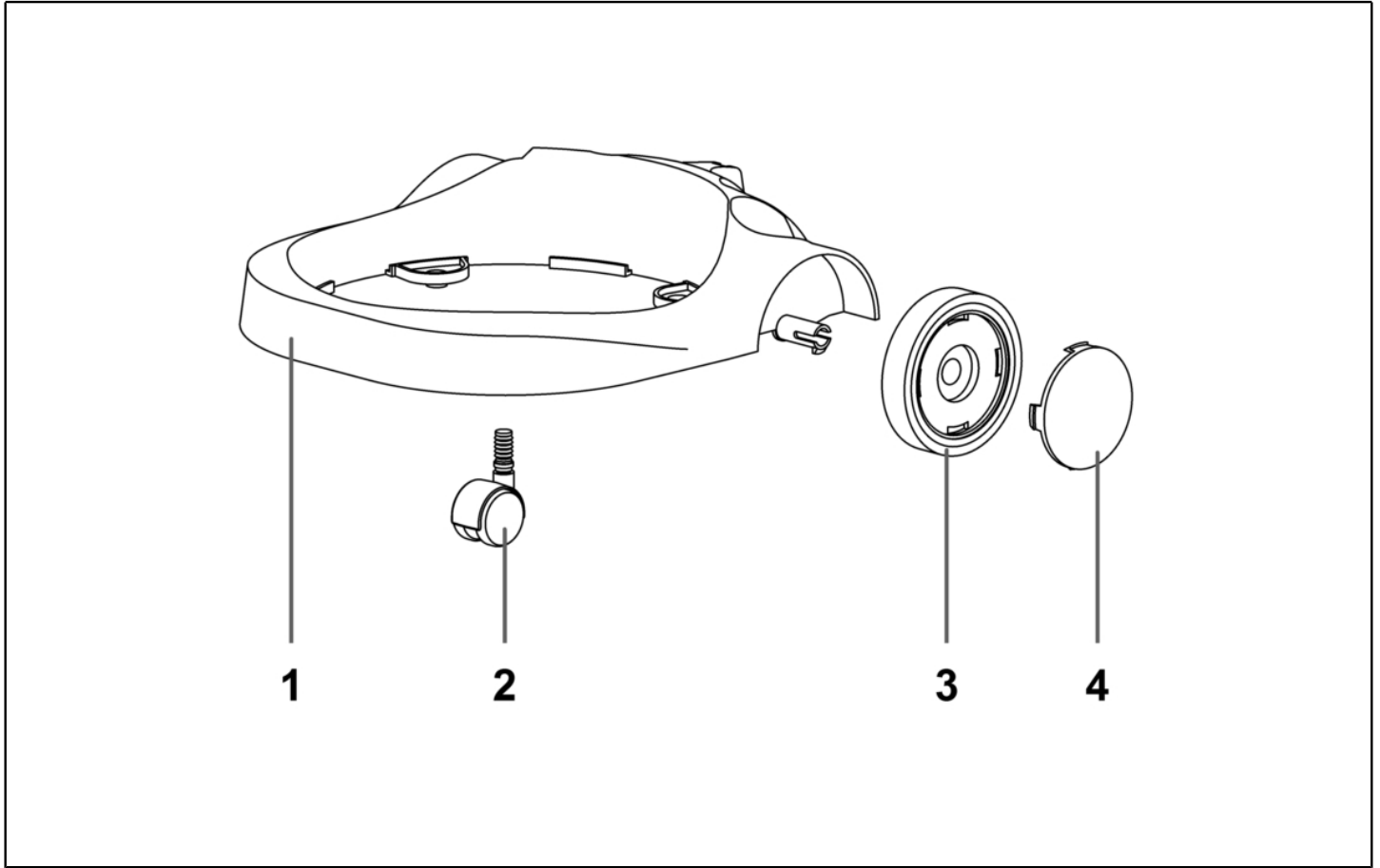
Ref. K	Part n.	Part n. 2	Description	Quantity	Validity		Price
					From	To	
*	MECB35712		WIRE WITH RESISTANCE	1,00			--
*	FSVR00127		CLAMP	1,00			--
*	MECB01828		WIRING 40CM MOTOR POKE-IN-TP	1,00			--
0001	MPVR08272		HANDLE TOPPER 500 G5000	1,00			--
0002	VTVT71961		SCREW PFU TMT PHL 5X20 ZN NERA	1,00			--
0003	VTVT40007		SCREW PAT TMT PHL 5X55 BLACK	2,00			--
0004	PMVR03054		BLACK FR.COVER TOPPER 500 X SL	1,00			--
0005	MEVR02281		SOCKET W/YELL. LIGHT SIGNAL 220V	1,00			--
0006	VTVT01453		SCREW VITE TC PZ 4,2X16 ZN NERA	1,00			--
0007	VTVT71961		SCREW PFU TMT PHL 5X20 ZN NERA	2,00			--
0008	MECI72195		ANTISPLASH SWITCH	1,00			--
0009	MECB28672		ELECTRIC CORD 2X1 MT.8,5	1,00			--
0010	MEVR28673		FAIRLEAD	1,00			--
0011	MPVR28690		CABLE CLAMP	1,00			--
0012	VTVT71961		SCREW PFU TMT PHL 5X20 ZN NERA	1,00			--
0013	MECB01161		TERMINAL BOARD 300-500 2P RAD	1,00			--
0014	FTDP38064		FILTER MTP/65 H=15 D.95	1,00			--
0015	VTVT71971		SCREW PAT TMT PHL 5X35 BLACK	6,00			--
0016	MPVR12690		GREY COVER 99 S/FORI GRIGIO 5000 V2	1,00			--
0017	MPVR38371		WASHER H8 D85X65	1,00			--
0018	MPVR86282		RING MOTORE H=7 (15) PLAST.	1,00			--
0019	FTDP38066		FILTER PHONO H=75	1,00			--
0020	VTVT71971		SCREW PAT TMT PHL 5X35 BLACK	6,00			--
0021	VTVT01272		SCREW TC CROSS M 5X45 UNI 7687	1,00			--
0022	PMVR03378		MOTOR FASTENER 99 FOR WARN.LIGHT BLACK	1,00			--
0023	VTVT71961		SCREW PFU TMT PHL 5X20 ZN NERA	4,00			--
0024	GUGO28683		"L" GASKET W/O HOLES H=5,5	1,00			--
0025	MOMO00354		MOTOR BD302 1000W 220-240 50/60	1,00			--
0026	GUGO28683		"L" GASKET W/O HOLES H=5,5	1,00			--
0027	FTDP38067		WASHER MTP 65MM 18D 230X145	1,00			--
0028	PMBA00487		BLACK BASE 500 X SL W/G PLA.	1,00			--
0029	MPVR10526		CARTRIDGE HOLD. SL COMP.	1,00			--
0030	LAFN08683		BRACKET BLOC FIL CLASS H	1,00			--
0031	VTVT87311		SCREW PAT TMT PHL 5X20 INOX	4,00			--



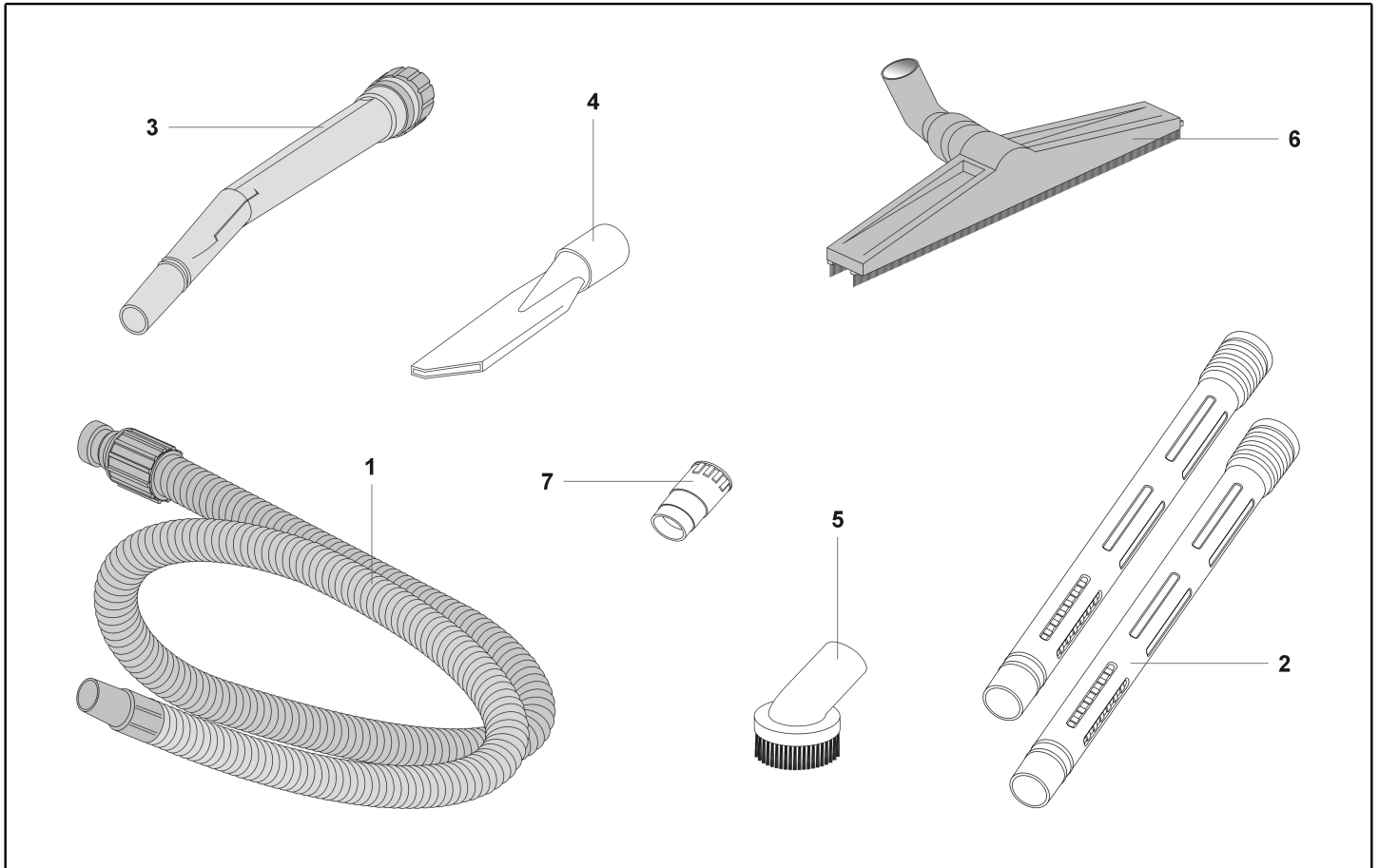
Ref. K	Part n.	Part n. 2	Description	Quantity	Validity		Price
					From	To	
0001	FTDP00848		CARTRIDGE HEPA D175x118 H250 H14GF	1,00			--
0001	FTDP00848		CARTRIDGE HEPA D175x118 H250 H14GF	1,00			--



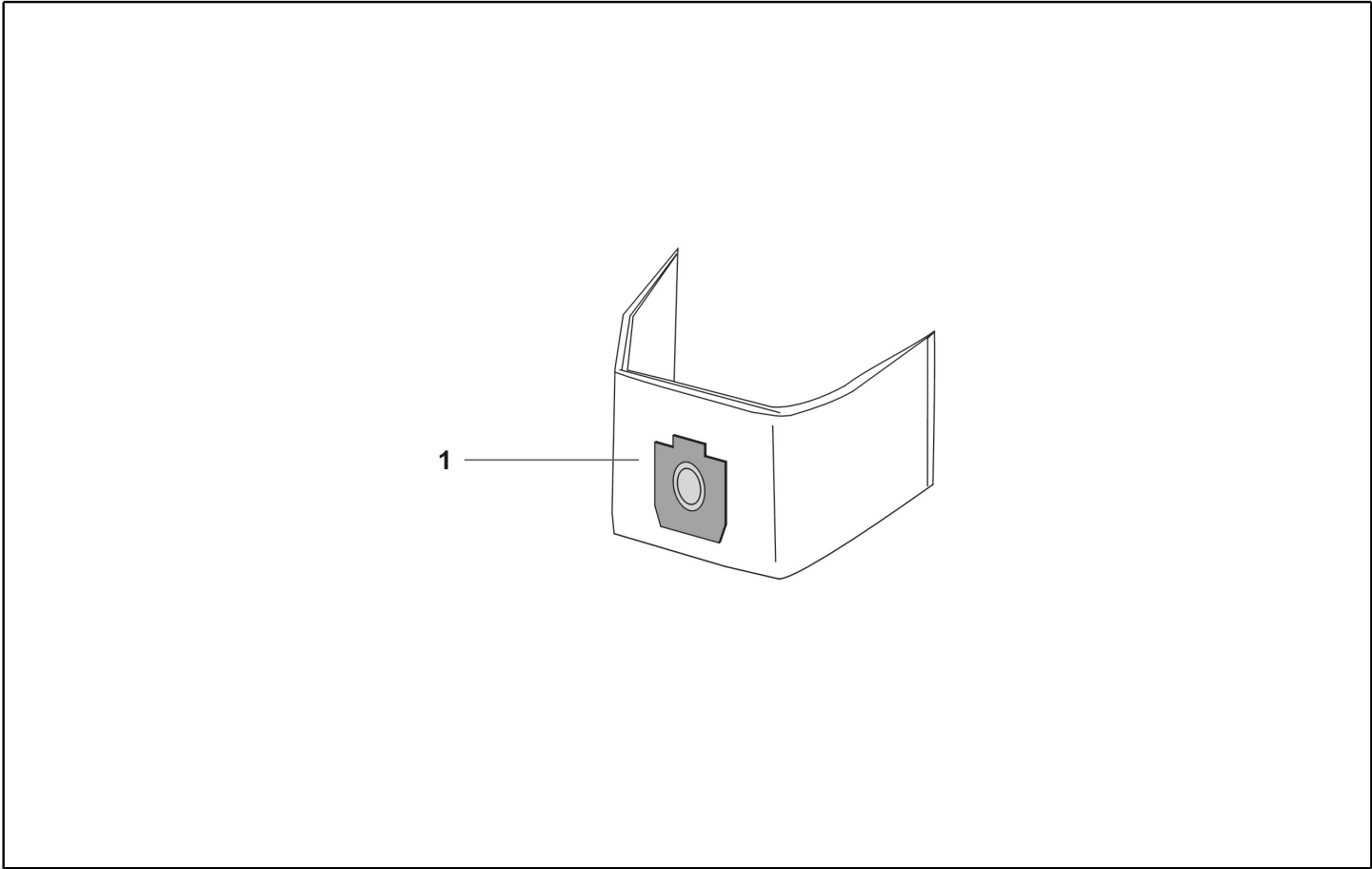
Ref. K	Part n.	Part n. 2	Description	Quantity	Validity		Price
					From	To	
0001	LAFN28728		TANK MEC 500 AISI 430	1,00			--
0002	MPVR09036		PIPE UNION R155 BLACK C/PUL.G5000	1,00			--
0003	GUGO28701		GASKET D.38	1,00			--
0004	GUGO28736		GASKET R 205 BLACK	1,00			--
0005	MPVR28696		DEFLECTOR 99	1,00			--
0006	VTVT71966		SCREW PAT TMT PHL 5X30 BLACK	4,00			--
0007	CHVR28735		COMPLETE PLASTIC HOOK BLACK	2,00			--
0008	VTVR71991		RIVET 5X11	4,00			--
0009	RCVR00936		PIPE UNION PIPE UNION D.38 COMPL.	1,00			--



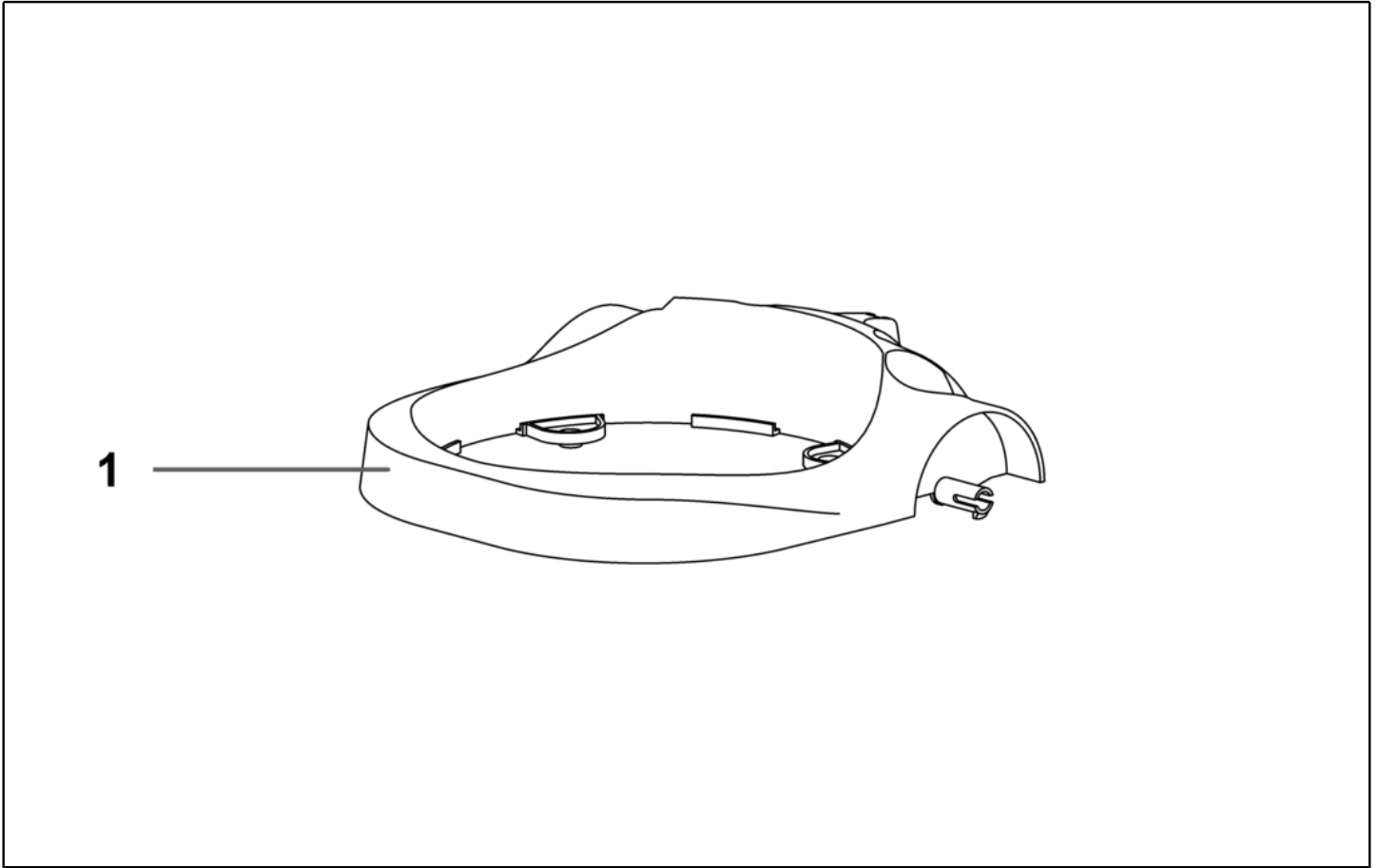
Ref. K	Part n.	Part n. 2	Description	Quantity	Validity		Price
					From	To	
0001	MPVR40522		TROLLEY TROLLEY BODY 500 VEGAS BL	1,00			--
0002	RTRT42006		TROLLEY BOX WHEEL	2,00			--
0003	RTRT85778		WHEEL BODY YES	2,00			--
0004	MPVR40523		WHEEL COVERING YES BLACK	2,00			--



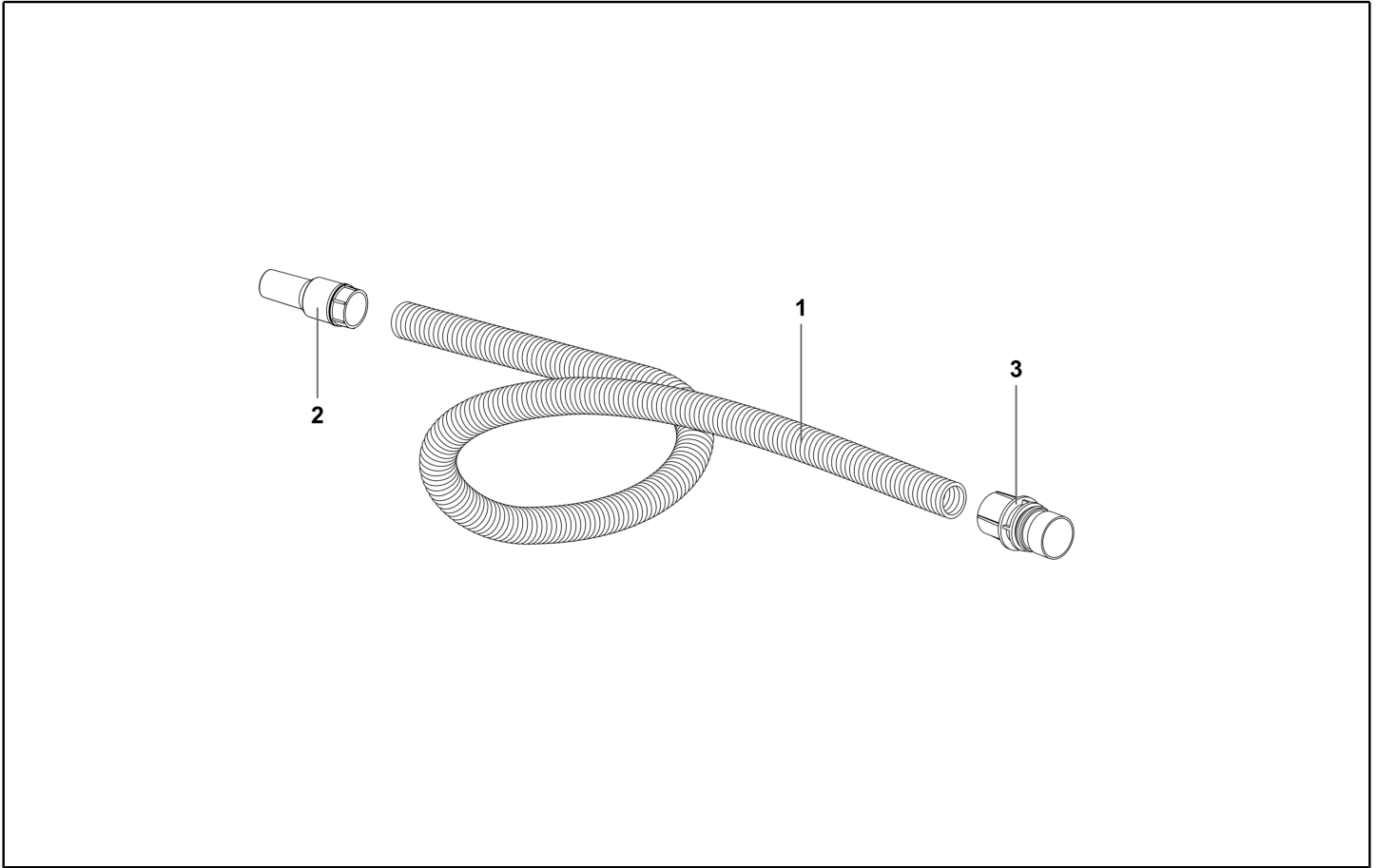
Ref. K	Part n.	Part n. 2	Description	Quantity	Validity		Price
					From	To	
0001	TBFX28237		FLEX HOSE D.38 MT.2,5 COMPL.	1,00			--
0002	LAFN43048		EXTENSION ALL-PL DIA.40 MT. 0,50 NE	2,00			--
0003	MPVR43047		EXTENSION CURVED EXTENSION	1,00			--
0004	SPPV00156		FLAT LANCE D.38	1,00			--
0005	SPPV43052		ROUND TOOL D.38	1,00			--
0006	SPPV43050		BRISTLES BRUSH D.40	1,00			--
0007	MPVR43049		PVC ADAPTOR D.38	1,00			--



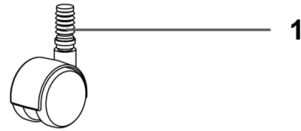
Ref. K	Part n.	Part n. 2	Description	Quantity	Validity		Price
					From	To	
0001	FTDP00327		BAG/FILTER T452SA 500 SERIES	1,00			--
0001	FTDP00327		BAG/FILTER T452SA 500 SERIES	1,00			--



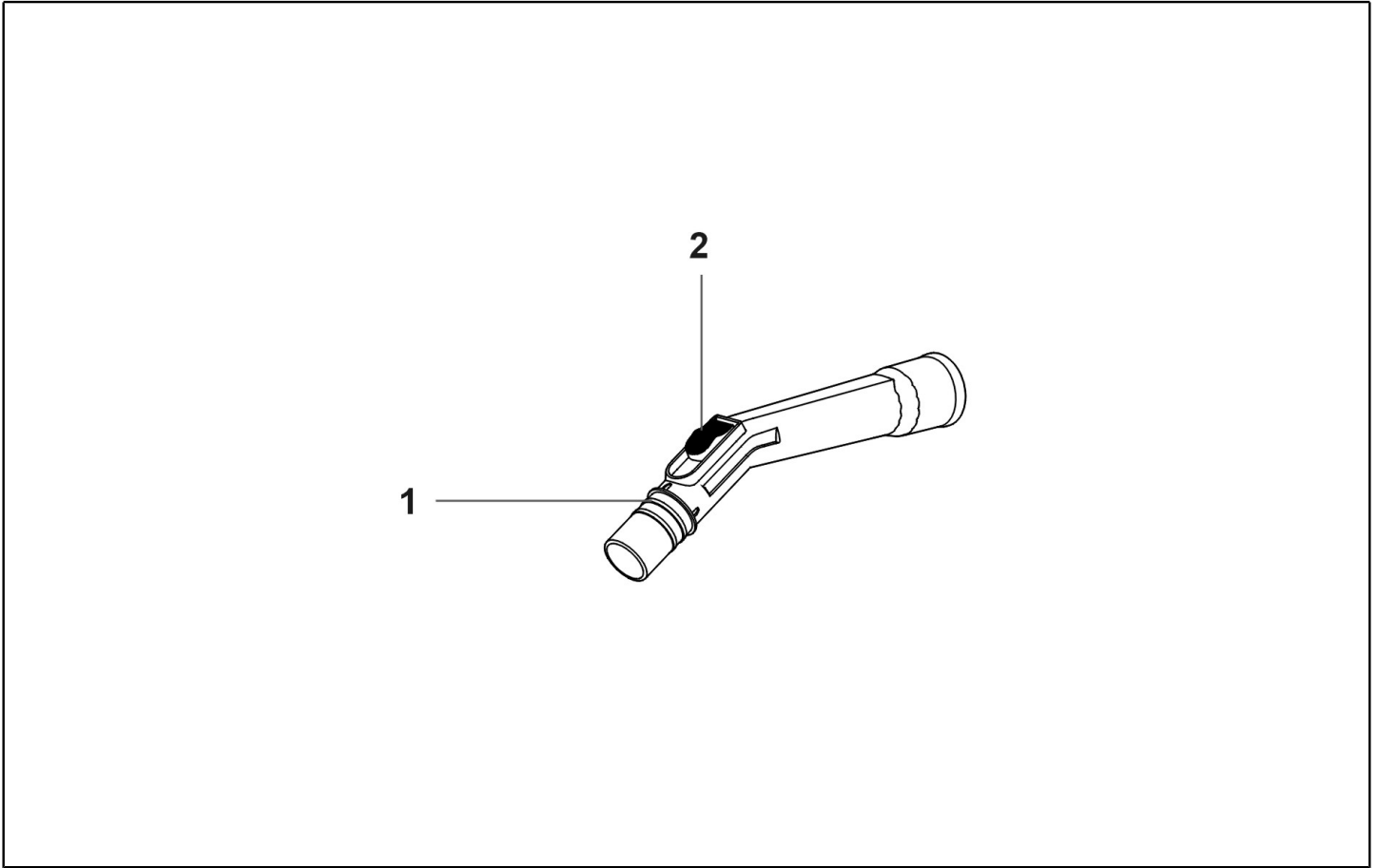
Ref. K	Part n.	Part n. 2	Description	Quantity	Validity		Price
					From	To	
0001	MPVR40522		TROLLEYTROLLEY BODY 500 VEGAS BL	1,00			--
0001	MPVR40522		TROLLEYTROLLEY BODY 500 VEGAS BL	1,00			--



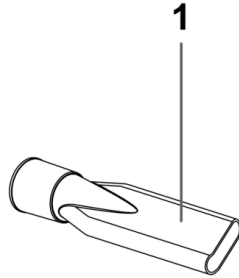
Ref. K	Part n.	Part n. 2	Description	Quantity	Validity		Price
					From	To	
0001	TBFX00558		FLEXIBLE HOSE 38 GR5500 AL METRO	2,37			--
0002	RCVR72221		ROTATING CUFF D.38/D.38	1,00			--
0003	MPVR07479		SLEEVE TUBOFLEX D.38/D.38 C/OR	1,00			--



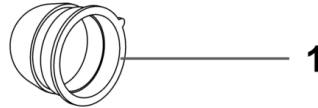
Ref. K	Part n.	Part n. 2	Description	Quantity	Validity		Price
					From	To	
0001	RTRT42006		TROLLEY BOX WHEEL	1,00			--
0001	RTRT42006		TROLLEY BOX WHEEL	1,00			--



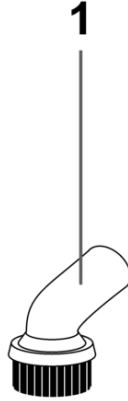
Ref. K	Part n.	Part n. 2	Description	Quantity	Validity		Price
					From	To	
0001	MPVR10505		CURVE PLAST DIA 38	1,00			--
0002	MPVR06762		BUTTON REGOLAZIONE ARIA G5	1,00			--



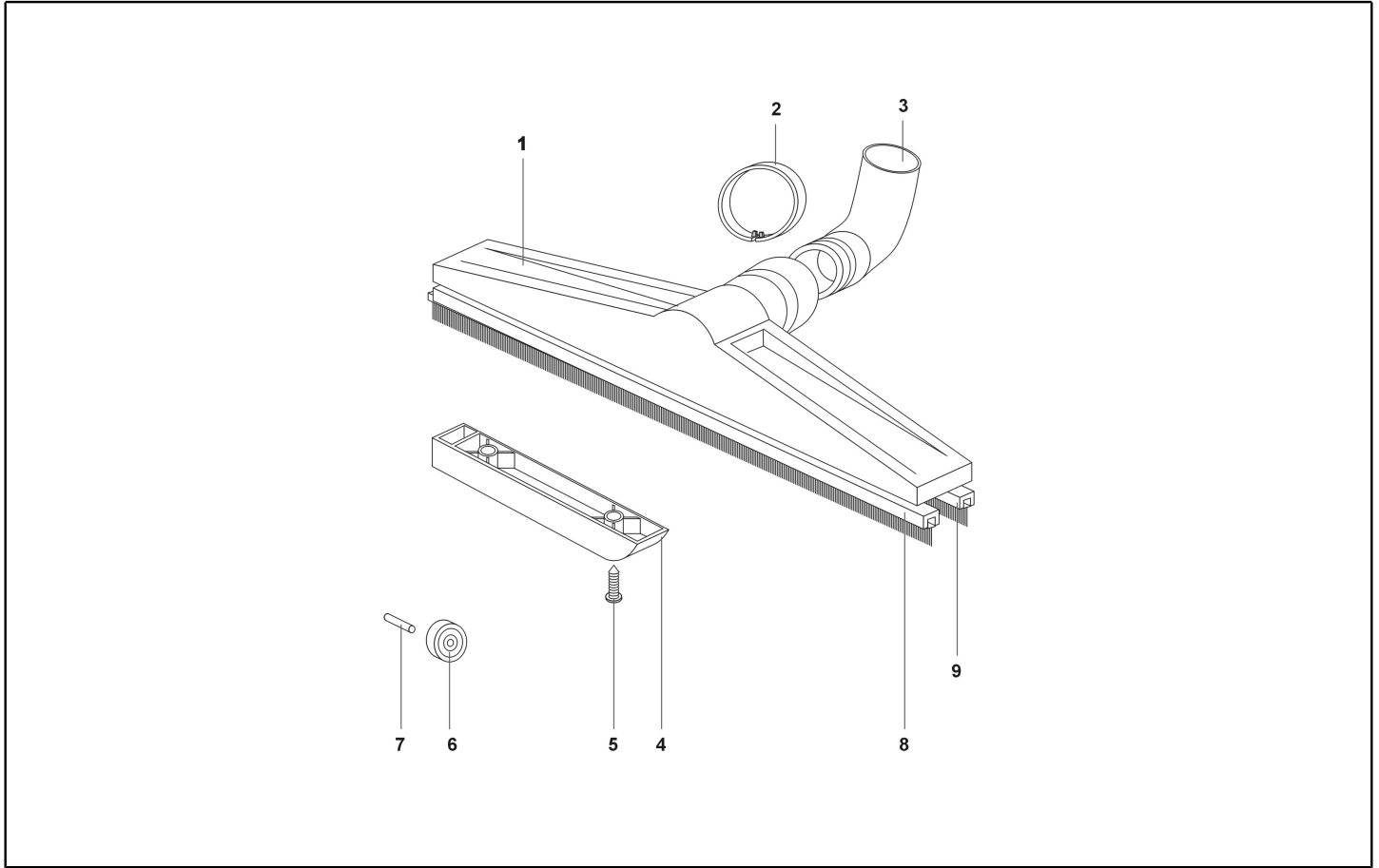
Ref. K	Part n.	Part n. 2	Description	Quantity	Validity		Price
					From	To	
0001	SPPV00156		FLAT LANCE D.38	2,00			--
0001	SPPV00156		FLAT LANCE D.38	2,00			--



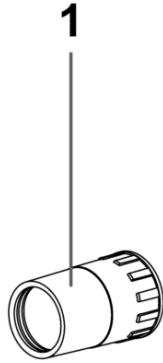
Ref. K	Part n.	Part n. 2	Description	Quantity	Validity		Price
					From	To	
0001	MPVR28696		DEFLECTOR 99	1,00			--
0001	MPVR28696		DEFLECTOR 99	1,00			--



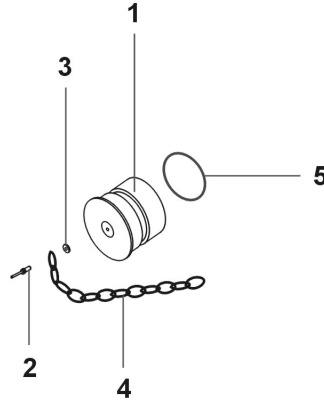
Ref. K	Part n.	Part n. 2	Description	Quantity	Validity		Price
					From	To	
0001	SPPV43052		ROUND TOOL D.38	1,00			--
0001	SPPV43052		ROUND TOOL D.38	1,00			--



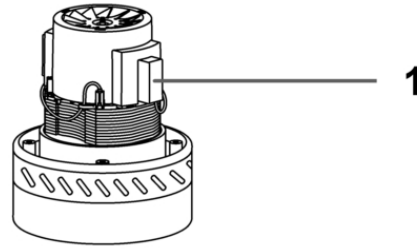
Ref. K	Part n.	Part n. 2	Description	Quantity	Validity		Price
					From	To	
0001	MPVR06726		BODY SPAZZOLA 400	1,00			--
0002	MPVR49176		ELASTIC RING NUT BRUSH 400	1,00			--
0003	MPVR02289		BRUSH 400 ELBOW CLUTCH D.38	1,00			--
0004	MPVR06728		SUPPORT PORTARUOTA SPAZZ.400	2,00			--
0005	VTVT01193		SCREW PAT TMT PHL 5X15 ZN BLACK	4,00			--
0006	RTRT87117		WHEEL D.25 BRUSH 300/400	2,00			--
0007	LAFN86068		PIVOT 5 X 17,5 ZN	2,00			--
0008	SPPV76601		STRIP L=395	1,00			--
0009	SPPV76599		GUIDE LIST W/STRIP L=395	1,00			--



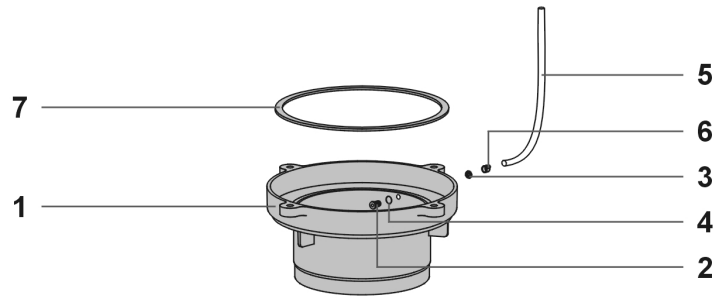
Ref. K	Part n.	Part n. 2	Description	Quantity	Validity		Price
					From	To	
0001	MPVR43049		PVC ADAPTOR D.38	1,00			--
0001	MPVR43049		PVC ADAPTOR D.38	1,00			--



Ref. K	Part n.	Part n. 2	Description	Quantity	Validity		Price
					From	To	
0001	RCVR01104		SLEEVE D.38 CHIUSO TORNITO	1,00	22/03/2016	27/09/2023	--
0001	MPVR13421		CAP BOCCHETTONE D.38 NE	1,00	28/09/2023		--
0002	VTRR71992		RIVET RIVET 4,8X17	1,00			--
0003	VTRS00389		CRICKET M 6X18X1,5 UNI 6593	1,00			--
0004	PVVR00131		GENOVESE CHAIN GALV.N°14	0,28			--
0005	GUGO00408		O-RING D.INT. 44,12X2,62 NBR	1,00			--



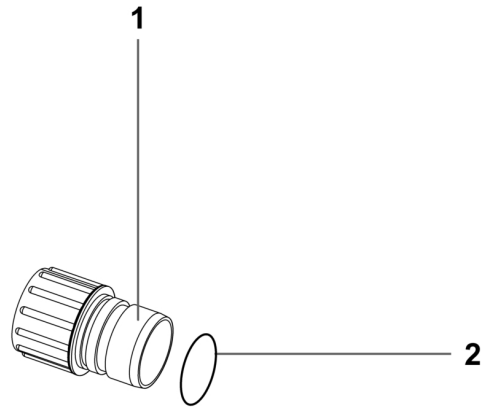
Ref. K	Part n.	Part n. 2	Description	Quantity	Validity		Price
					From	To	
0001	MOMO00354		MOTOR BD302 1000W 220-240 50/60	1,00			--
0001	MOMO00354		MOTOR BD302 1000W 220-240 50/60	1,00			--



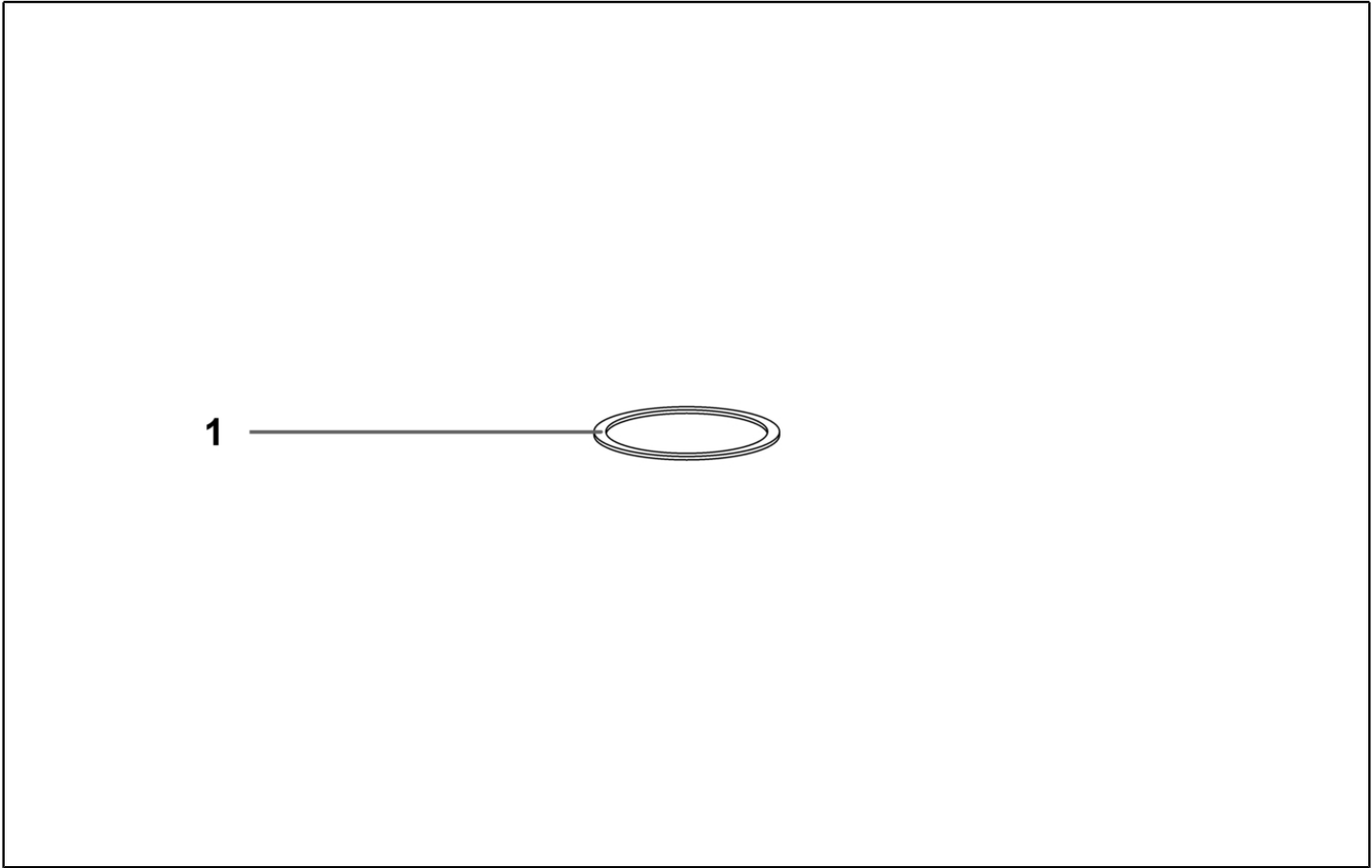
Ref. K	Part n.	Part n. 2	Description	Quantity	Validity		Price
					From	To	
0001	MPVR10525		CARTRIDGE SUPPORT WL	1,00			--
0002	RCVR00845		HOSE FITTING WARNING LIGHT	1,00			--
0003	VTRS00415		WASHER SELF-LOC. D.6 ZA6	1,00			--
0004	GUGO00474		O-RING 2015 NBR SH70	1,00			--
0005	TBBP00547		TUBE PVC D.5X3 CM46 X WAR LIGH	1,00			--
0006	FSVR00147		CABLE TIE D.5 MONO LOBO	1,00			--
0007	GUVR40078		GASKET H3 DS50 W/ANTIFOAM BODY	1,00			--

Quantities — 1

Ref. K	Part n.	Part n. 2	Description	Quantity	Validity		Price
					From	To	
0001	VTVT87311		SCREW PAT TMT PHL 5X20 INOX	1,00			--
0001	VTVT87311		SCREW PAT TMT PHL 5X20 INOX	1,00			--



Ref. K	Part n.	Part n. 2	Description	Quantity	Validity		Price
					From	To	
0001	MPVR13223		SLEEVE TUBOFLEX D.38/D.38	1,00	11/06/2021		--
0002	GUGO00408		O-RING D.INT. 44,12X2,62 NBR	1,00			--



Ref. K	Part n.	Part n. 2	Description	Quantity	Validity		Price
					From	To	
0001	GUVR40078		GASKET H3 DS50 W/ANTIFOAM BODY	1,00			--