

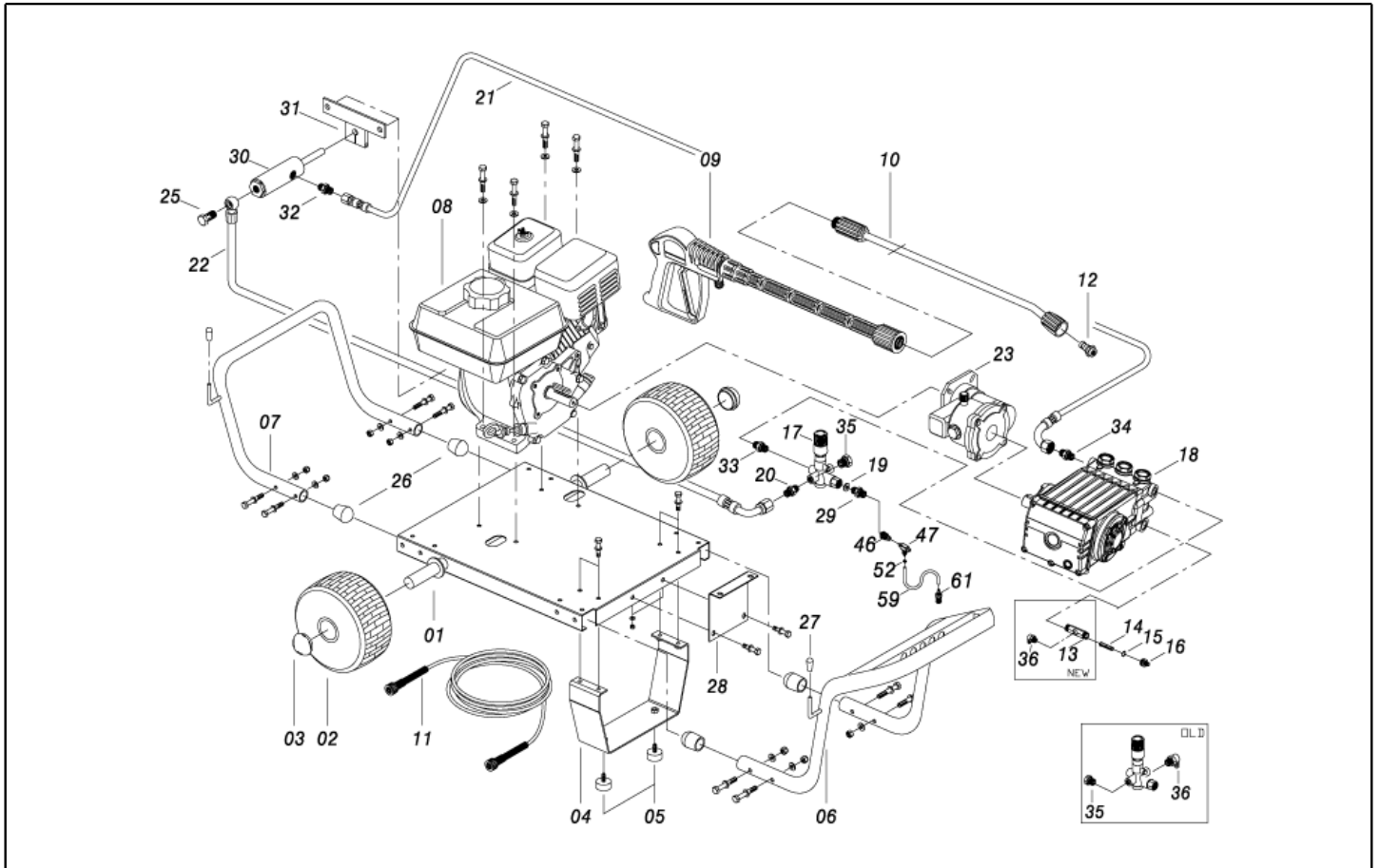


**IPC**

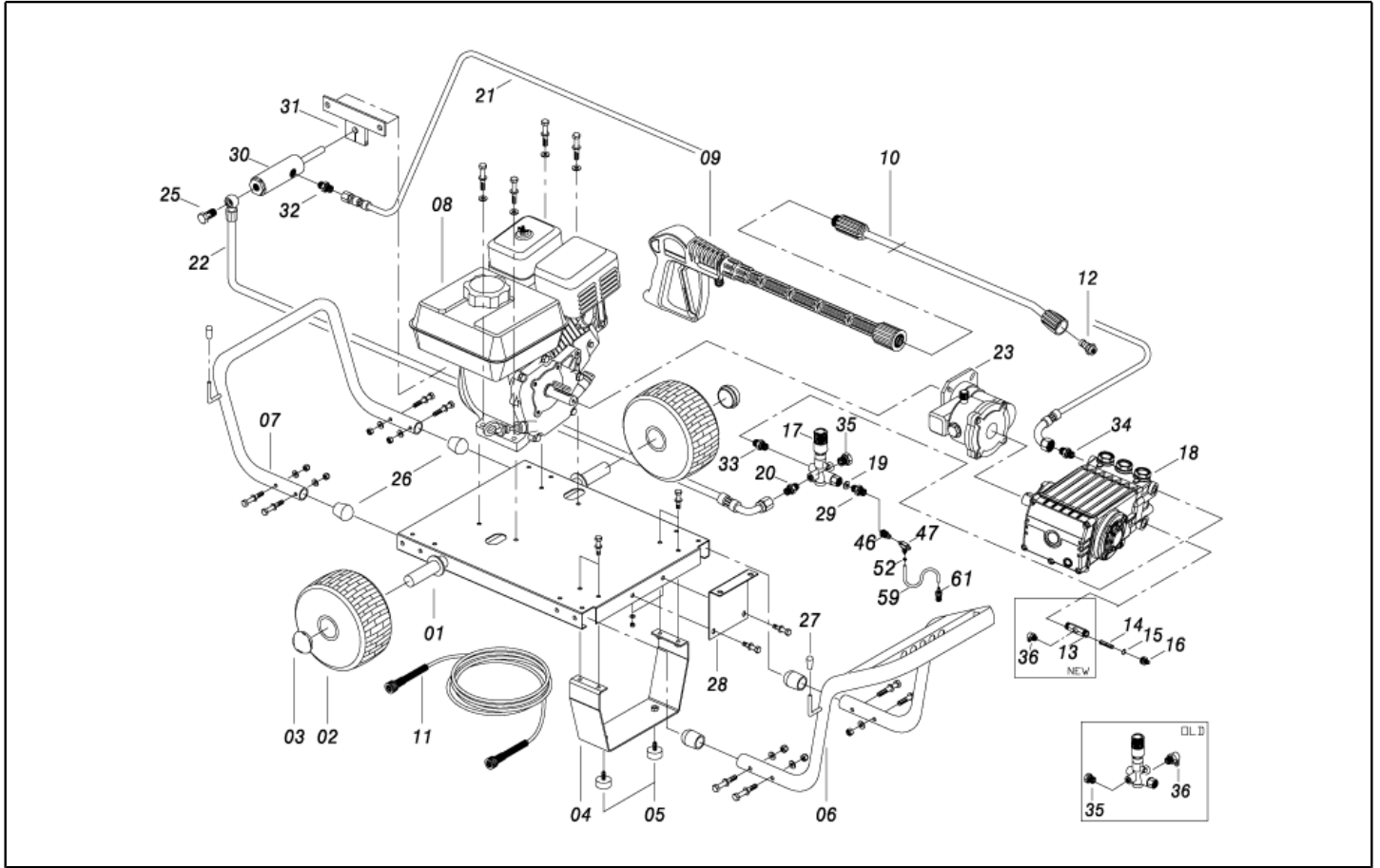
**Spare parts list**

Ref: IDAF40359

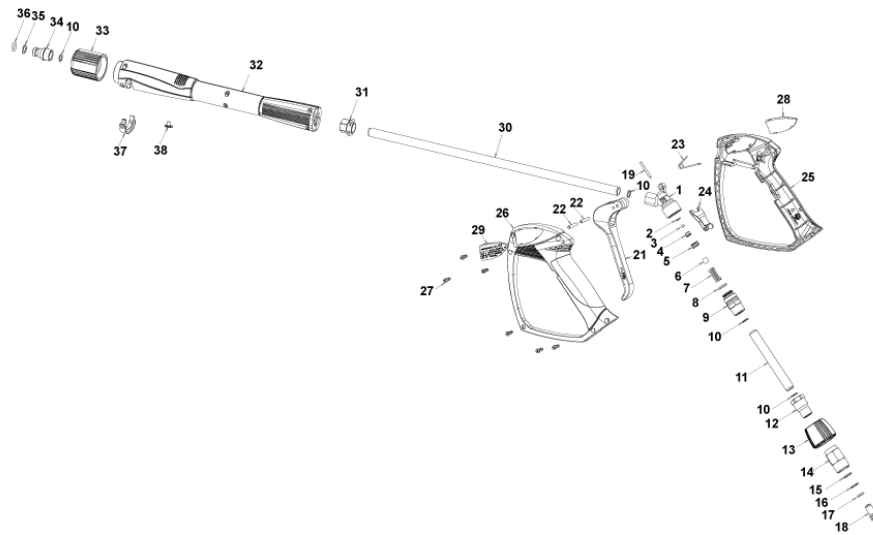
Model: H.P. CLEANER BENZ-C L DL2021Pi P IPC



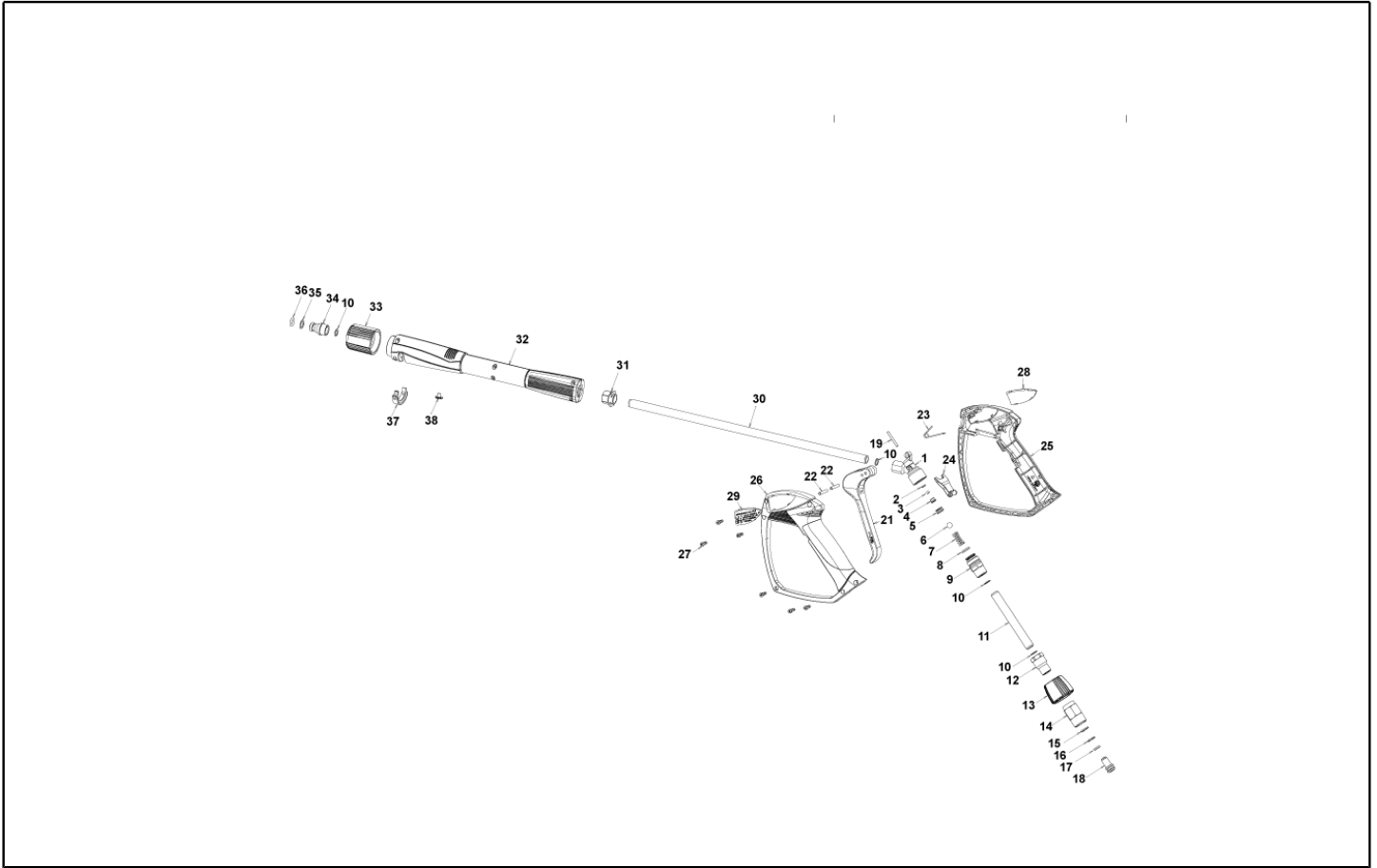
Ref. K	Part n.	Part n. 2	Description	Quantity	Validity		Price
					From	To	
0001	LAFN40179		CHASSIS BENZ HP 9-13	1,00			--
0002	RTRT40006		WHEEL D. 13.5"X 6/6 -D.25 PN.	2,00			--
0003	VTVR01268		HUB CAP D. 25	2,00			--
0004	LAFN40181		FOOT BENZ HP 9-13	1,00			--
0005	MPVR60726		VIBRATION DAMP. TCC48X25- 1M8X16 60SH GMM	2,00			--
0006	LAFN40188		HANDLE BENZ HP 9-13	1,00			--
0007	LAFN40183		BUMPER BENZ HP 9-13	1,00			--
0008	MOSC40002		ENGINE MOTOR HONDA GX390 UT2 QX Q4 OH	1,00	01/10/2011		--
0008	MOSC71925		ENGINE MOTOR HONDA GX390 QX 13HP AV.MA	1,00		30/09/2011	--
0009	IPPR89429		GRIP G 4500 - P.330 -M22SW.M V	1,00		15/04/2014	--
0009	IPPR40010		GRIP G 5100+P.330 +M22 SW.M V	1,00	16/04/2014	29/02/2016	--
0009	IPPR40020		GRIP G 6000+P.330 +M22 SW.M V	1,00	01/03/2016	14/06/2018	--
0009	IPPR40025		GRIP G 6000+P.330 +M22 SW.M 2V	1,00	15/06/2018		--
0010	LCPR40013		EXTENSION P 70 - HYPERJET 1/4F	1,00			--
0011	TBAP25324		H.P. HOSE R1 MT 10 5/16" C/2 IRV ZC	1,00		30/04/2022	--
0011	TBAP40256		H.P. HOSE 5/16 250B 10MT C/2 IRV ZC	1,00	01/05/2022		--
0012	UGLN49995		NOZZLE LECH 1/4 25065	1,00			--
0013	RCDS46109		NIPPLE 3/4 - 1/2 RYL INX	1,00		30/04/2024	--
0013	RCDS46110		NIPPLE 3/4 - 1/2Cn+G3/8 PGM INX	1,00	01/05/2024		--
0014	FTAC30214		FILTER D.15X67	1,00			--
0016	RCVR29600		SOCKET PTC 3/4 F	1,00			--
0017	VVAZ40004		VALVE BP 93 C/M.310B. 3/8-1/4F	1,00		30/04/2024	--
0017	VVAZ40013		VALVE BP 91 C/RIT.PT.+MN.310B	1,00	01/05/2024		--
0018	PPAP40177		PUMP UD BC 18/20 DX 18 -200	1,00	01/08/2023		--
0018	PPAP42822		PUMP WS132 DX LT 18-120 B. USA	1,00		31/07/2023	--
0019	VTRS00548		WASHER D.17,5X23X1,5 (3/8)RM	1,00			--
0020	RCDS00607		NIPPLE 1/4 - 1/4 SV	1,00			--
0021	TBAP40031		POLYAMIDE HOSE 1/4 L=430 1/4F -1/4F 90°	1,00			--
0022	TBAP40032		POLYAMIDE HOSE 1/4 L=580 1/4OC -1/4F 90°	1,00			--
0023	RDGR40000		REDUCTION UNIT PA B18H HP 11-18	1,00		25/10/2010	--
0023	RDGR40001		REDUCTION UNIT RS 500H	1,00	26/10/2010	31/12/2022	--
0023	RDGR40006		REDUCTION UNIT RGB 18 - 18Hp	1,00	01/01/2023		--
0025	RCDS02612		SCREW G 1/4 A.P.	1,00			--
0026	MPVR01697		PROD D.30 1.02.109	4,00			--
0027	MPVR32471		PROD D. 8 BK	2,00			--
0028	LAFN40193		SUPPORT BRACKET BENZ HP 13.0 LS	1,00		31/07/2023	--
0028	LAFN41377		SUPPORT BRACKET BENZ HP 13.0 UD/BC ZC	1,00	01/08/2023		--
0029	RCIN09348		MALE COUPLING 3/8MA L=32	1,00			--
0030	KTRI10685		KIT P 14- 53	1,00	15/04/2009		--
0031	LAFN11807		BRACKET SF/HONDA	1,00			--
0033	RCDS12121		NIPPLE 3/8 - 3/8 SV/CN	1,00			--
0034	RCDS00609		NIPPLE 1/2 - 1/4 SV	1,00			--
0035	RCVR38072		REDUCTION 3/8-1/4 M/F A4/Z SKD.F	1,00			--
0036	VVSC40022		VALVE 3/8" ML610 56° 10b.	1,00	01/05/2024		--



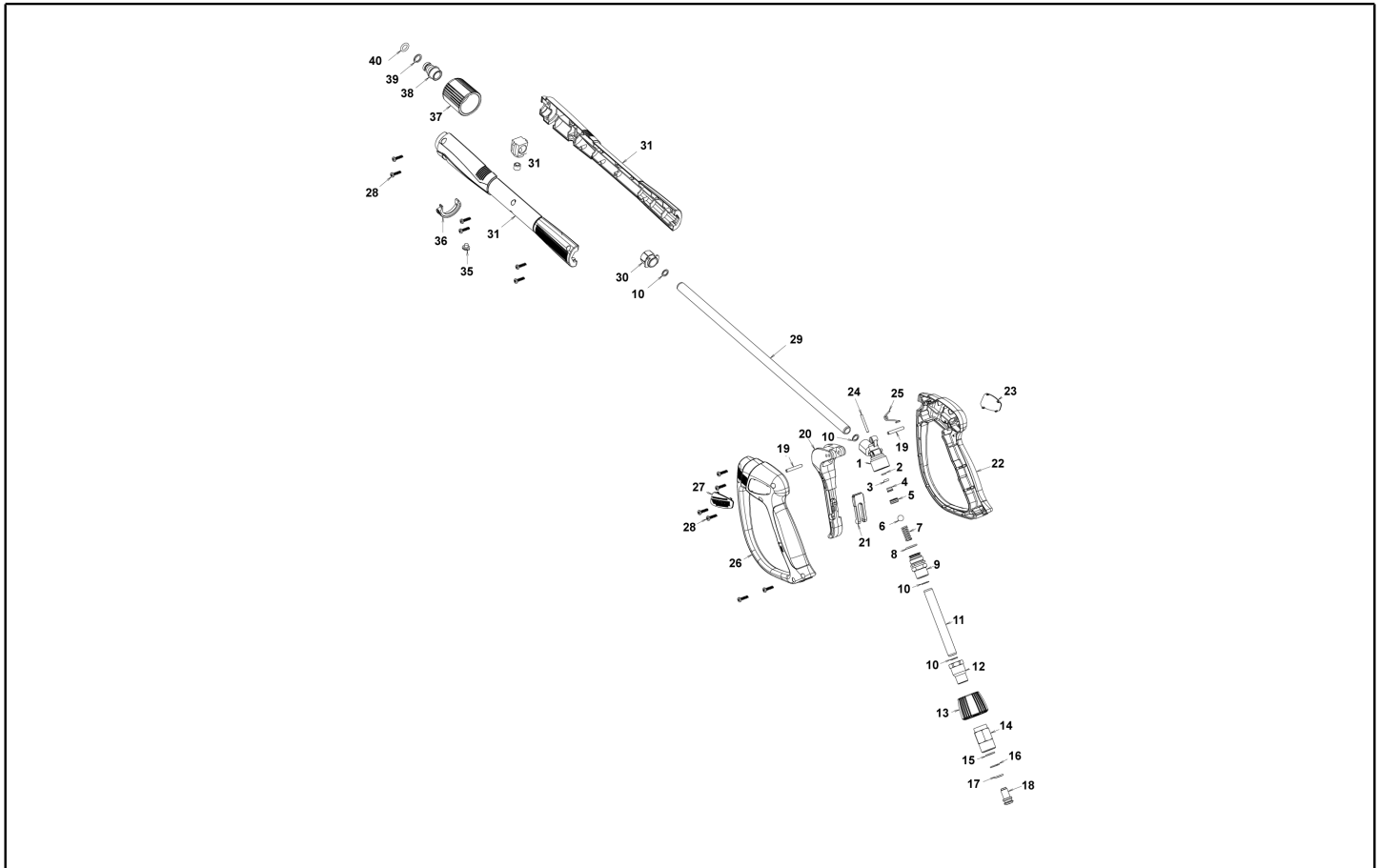
Ref. K	Part n.	Part n. 2	Description	Quantity	Validity		Price
					From	To	
0036	VVSC40022		VALVE 3/8" ML610 56° 10b.	1,00		30/04/2024	--
0046	RCIN03758		FEMALE COUPLIN. 3/8FB	1,00			--
0047	EIDT18252		EJECTOR ROBOKIM 1 M22-3/8 M/M	1,00			--
0052	FSVR00427		CLAMP D. 12 CLIC 66-110	1,00			--
0059	TBBP00051		DETERGENT HOSE D. 6-12	1,50			--
0061	FTDT04647		FILTER 3/8 F + PG	1,00			--



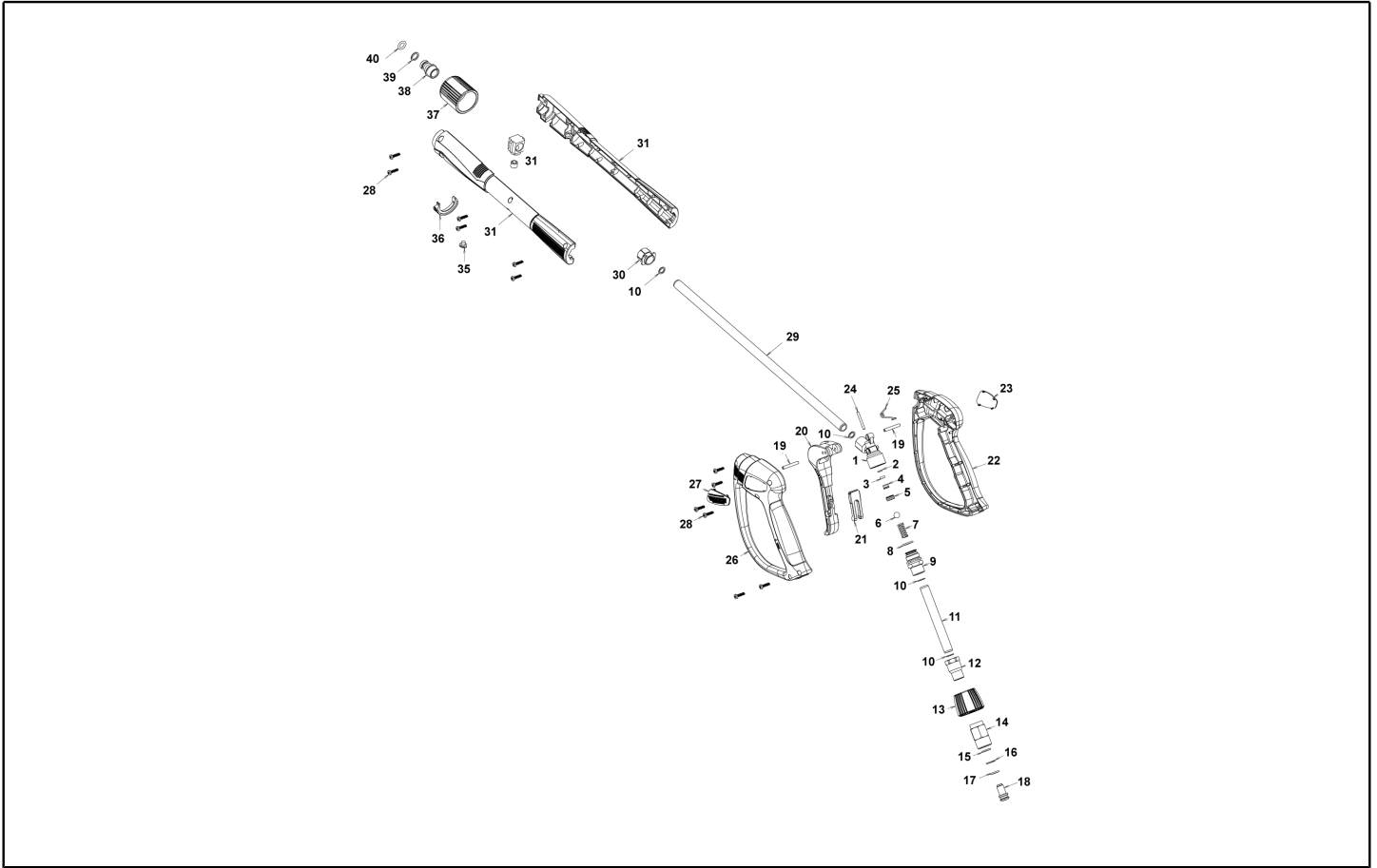
Ref. K	Part n.	Part n. 2	Description	Quantity	Validity		Price
					From	To	
0001	PVVR40381		GUN BODY G 5100 G1/4F	1,00			--
0002	S	GUVR40074	ANTI-EXTR.RING D. 3 X 7.4X1.3	1,00			--
0003	S	GUGO21835	O-RING D. 2.84 X 2.62 VIT. 80SH	1,00			--
0004		PVVR40382	PISTON GUIDE G 5100	1,00			--
0005	S	PVVR40112	BALL SEAT G 5000	1,00			--
0006	S	SFVR27026	BALL D.11/32" INX	1,00			--
0007		MLML40016	SPRING D. 9.4 x21.5x1.6 G5000	1,00			--
0008		GUGO12322	O-RING D. 14 X 1.78 NBR 90SH	1,00			--
0009		PVVR40383	CONNECTOR COLL.G5100 1/4F	1,00			--
0010		VTRS40017	WASHER D. 8.2X11,4X1.00	4,00			--
0011		PVVR40384	TUBE G 1/4" L.105	1,00			--
0012		RCIN40022	CONNECTOR SWIV G5100 1/4F	1,00			--
0013		MPVR40486	RING NUT G 5100 SW. GR.	1,00			--
0014		RCIN40021	JOINT SWIV 5100 M22	1,00			--
0015	S	GUVR40075	ANTI-EXTR.RING D. 10 X14X1.5	1,00			--
0016	S	GUVR40076	ANTI-EXTR.RING D. 11.2X14X1.2	1,00			--
0017	S	GUGO15295	O-RING D. 10.82 X 1.78 VIT 75SH	1,00			--
0018		PVVR40386	SCREW SW. G 5100	1,00			--
0019		PVVR40387	SMALL PISTON G 5100	1,00			--
0021		MPVR40487	TRIGGER G 5100-SW	1,00			--
0022		VTVR40047	PLUG D. 4X29	2,00			--
0023		MLML40029	SPRING G 5100	1,00			--
0024		MPVR40488	SAFETY-DEVICE G 5100-SW	1,00			--
0025		MPVR40489	SHELL G 5100-SW DX	1,00			--
0026		MPVR40490	SHELL G 5100-SW SX	1,00			--
0027		VTVT40043	SCREW AF 4X 14 HILO ZN.N	6,00			--
0028		MPVR40491	PLATE G 5100 GR.DX	1,00			--
0029		MPVR40492	PLATE G 5100 GR.SX	1,00			--
0030		LCPR40086	TUBE 1/4 L=420 ZC. 0°	1,00			--
0031		MPVR40493	CONNECTOR G 5100-SW	1,00			--
0032		MPVR40494	PROTECTION P 420 C/AN.	1,00			--
0033		PVVR40119	CONNECTION M22X1.5 IRV G5000	1,00			--
0034		RCIN40009	GUDGEON G 1/4 F IRV G5000	1,00			--
0035		GUVR40034	ANTI-EXTR.RING D. 10 X14	1,00			--
0036		GUGO01946	O-RING D. 9.13 X 2.62 VIT 70SH	1,00			--
0037		MPVR40495	CAP G 5100 REM.	1,00			--
0038		MPVR40198	CAP G 5000	1,00			--



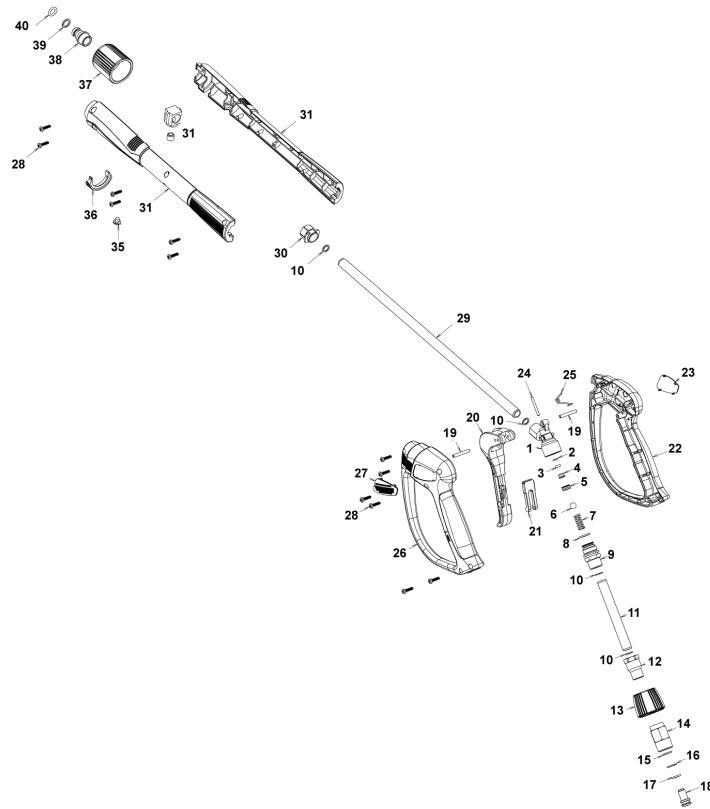
Ref. Part n.	Part n. 2	Description	Reference	Price
KTRI40242		KIT P 26- 25 G 5100	0002 0003 0005 0006	--
KTRI40243		KIT P 26- 26 SWIVEL G 5100	0015 0016 0017	--



Ref. K	Part n.	Part n. 2	Description	Quantity	Validity		Price
					From	To	
0001	PVVR40381		GUN BODY G 5100 G1/4F	1,00			--
0002	S	GUVR40074	ANTI-EXTR.RING D. 3 X 7.4X1.3	1,00			--
0003	S	GUGO21835	O-RING D. 2.84 X 2.62 VIT. 80SH	1,00			--
0004		PVVR40382	PISTON GUIDE G 5100	1,00			--
0005	S	PVVR40112	BALL SEAT G 5000	1,00			--
0006	S	SFVR40002	BALL D.11/32" ALL GR16	1,00			--
0007		MLML40016	SPRING D. 9.4 x21.5x1.6 G5000	1,00			--
0008		GUGO12322	O-RING D. 14 X 1.78 NBR 90SH	1,00			--
0009		PVVR40383	CONNECTOR COLL.G5100 1/4F	1,00			--
0010		VTRS40017	WASHER D. 8.2X11,4X1.00	4,00			--
0011		PVVR40384	TUBE G 1/4" L.105	1,00			--
0012		RCIN40022	CONNECTOR SWIV G5100 1/4F	1,00			--
0013		MPVR40819	RING NUT G 5100 SW. BK.	1,00			--
0014		RCIN40021	JOINT SWIV 5100 M22	1,00			--
0015	S	GUVR40075	ANTI-EXTR.RING D. 10 X14X1.5	1,00			--
0016	S	GUVR40076	ANTI-EXTR.RING D. 11.2X14X1.2	1,00			--
0017	S	GUGO15295	O-RING D. 10.82 X 1.78 VIT 75SH	1,00			--
0018		PVVR40386	SCREW SW. G 5100	1,00			--
0019		VTVR40047	PLUG D. 4X29	2,00			--
0020		MPVR40820	TRIGGER G 6000-SW	1,00			--
0021		MPVR40821	SAFETY-DEVICE G 6000-SW	1,00			--
0022		MPVR40822	SHELL G 6000-SW DX	1,00			--
0023		MPVR40823	PLATE G 6000 GR.DX	1,00			--
0024		PVVR40387	SMALL PISTON G 5100	1,00			--
0025		MLML40029	SPRING G 5100	1,00			--
0026		MPVR40824	SHELL G 6000-SW SX	1,00			--
0027		MPVR40825	PLATE G 6000 GR.SX	1,00			--
0028		VTVT40043	SCREW AF 4X 14 HILO ZN.N	12,00			--
0029		LCPR40086	TUBE 1/4 L=420 ZC. 0°	1,00			--
0030		MPVR40493	CONNECTOR G 5100-SW	1,00			--
0031		MPVR40494	PROTECTION P 420 C/AN.	1,00			--
0035		MPVR40198	CAP G 5000	1,00			--
0036		MPVR40495	CAP G 5100 REM.	1,00			--
0037		PVVR40119	CONNECTION M22X1,5 IRV G5000	1,00			--
0038		RCIN40009	GUDGEON G 1/4 F IRV G5000	1,00			--
0039		GUVR40034	ANTI-EXTR.RING D. 10 X14	1,00			--
0040		GUGO01946	O-RING D. 9.13 X 2.62 VIT 70SH	1,00			--

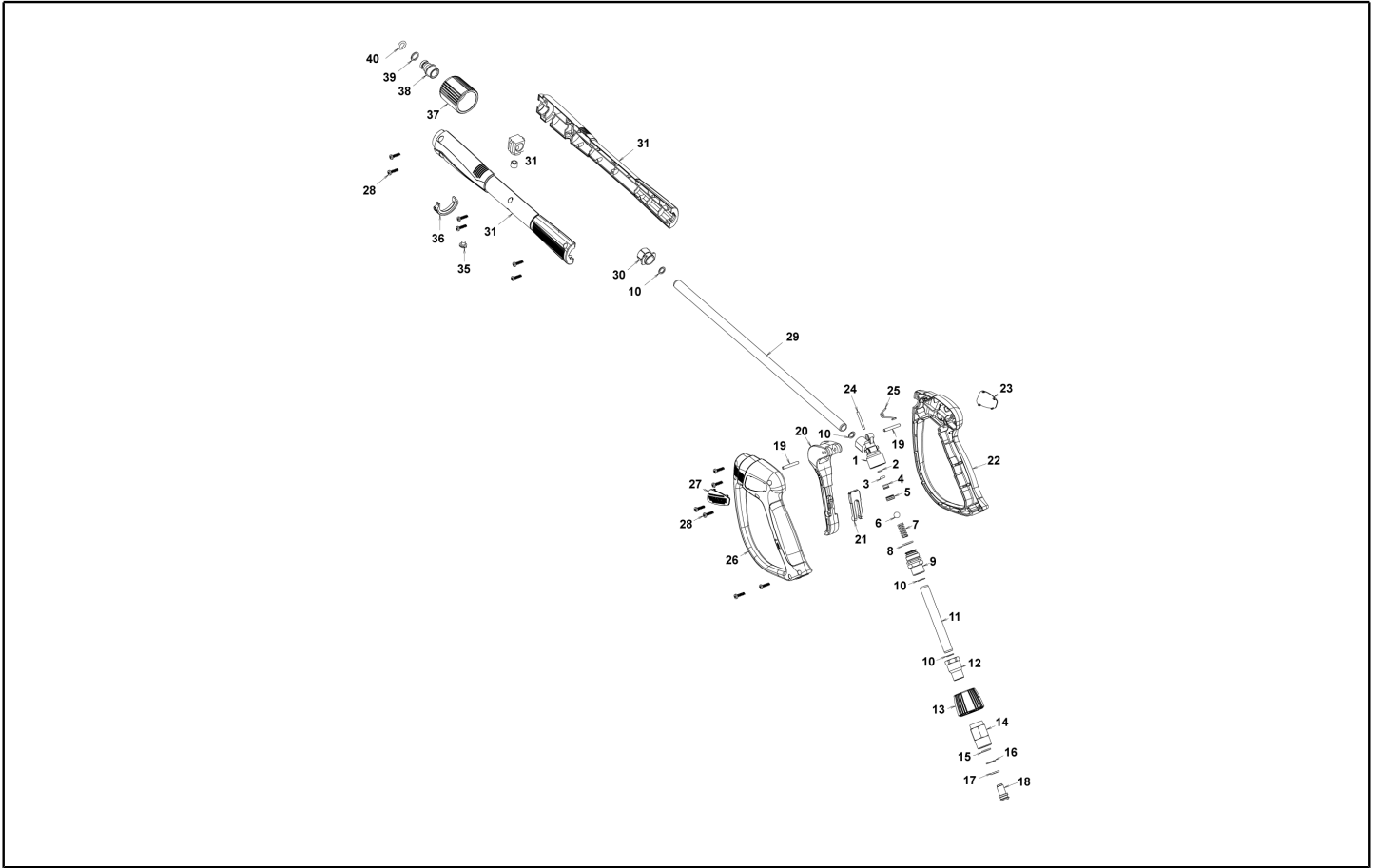


Ref. Part n.	Part n. 2	Description	Reference	Price
KTRI40243		KIT P 26- 26 SWIVEL G 5100	0015 0016 0017	--
KTRI40414		KIT P 26- 34 G 6000	0002 0003 0005 0006	--

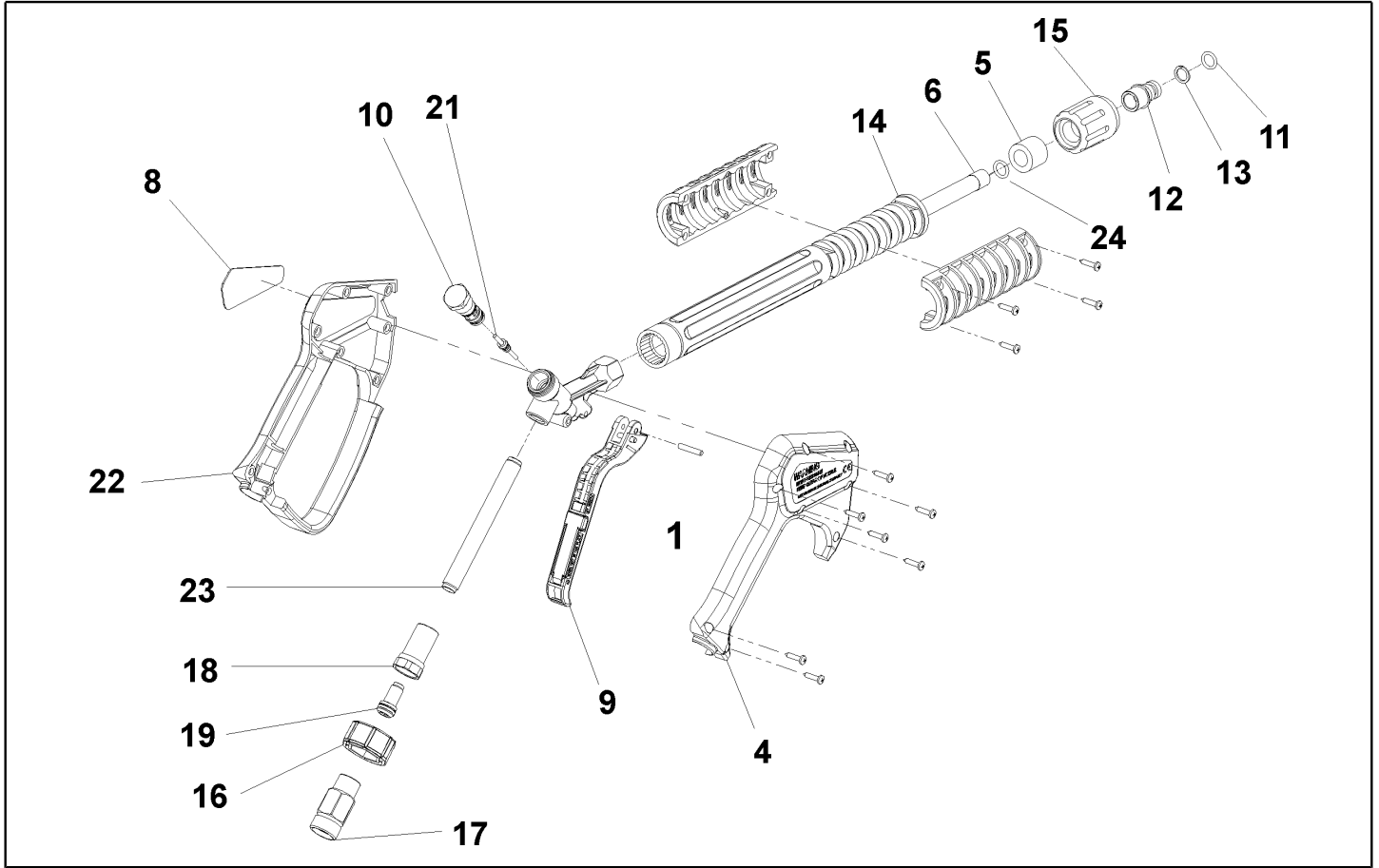


Ref. K	Part n.	Part n. 2	Description	Quantity	Validity		Price
					From	To	
0001	PVVR40381		GUN BODY G 5100 G1/4F	1,00			--
0002	S	GUVR40074	ANTI-EXTR.RING D. 3 X 7.4X1.3	1,00			--
0003	S	GUGO21835	O-RING D. 2.84 X 2.62 VIT. 80SH	1,00			--
0004	PVVR40382		PISTON GUIDE G 5100	1,00			--
0005	S	PVVR40563	BALL SEAT AL36 G6000 + OR	1,00			--
0006	S	SFVR40004	BALL D. 5/16" ALL.GR16	1,00			--
0007	S	MLML40047	SPRING D. 9.4 x23.5x1.6 G6000	1,00			--
0008		GUGO12322	O-RING D. 14 X 1.78 NBR 90SH	1,00			--
0009	PVVR40383		CONNECTOR COLL.G5100 1/4F	1,00			--
0010	VTRS40017		WASHER D. 8.2X11,4X1.00	4,00			--
0011	PVVR40384		TUBE G 1/4" L.105	1,00			--
0012	RCIN40022		CONNECTOR SWIV G5100 1/4F	1,00			--
0013	MPVR40967		RING NUT G 6000 SW. GR.	1,00			--
0014	RCIN40021		JOINT SWIV 5100 M22	1,00			--
0015	S	GUVR40075	ANTI-EXTR.RING D. 10 X14X1.5	1,00			--
0016	S	GUVR40076	ANTI-EXTR.RING D. 11.2X14X1.2	1,00			--
0017	S	GUGO15295	O-RING D. 10.82 X 1.78 VIT 75SH	1,00			--
0018	PVVR40386		SCREW SW. G 5100	1,00			--
0019	VTVR40047		PLUG D. 4X29	2,00			--
0020	MPVR40820		TRIGGER G 6000-SW	1,00			--
0021	MPVR40821		SAFETY-DEVICE G 6000-SW	1,00			--
0022	MPVR40822		SHELL G 6000-SW DX	1,00			--
0023	MPVR40968		PLATE G 6000/2 GR.DX	1,00			--
0024	S	PVVR40564	SMALL PISTON G 6000 AL36 SP.	1,00			--
0025	MLML40029		SPRING G 5100	1,00			--
0026	MPVR40824		SHELL G 6000-SW SX	1,00			--
0027	MPVR40825		PLATE G 6000 GR.SX	1,00			--
0028	VTVT40043		SCREW AF 4X 14 HILO ZN.N	12,00			--
0029	LCPR40181		TUBE 1/4 L=416 ZC. 0°	1,00			--
0030	MPVR40493		CONNECTOR G 5100-SW	1,00			--
0031	MPVR40494		PROTECTION P 420 C/AN.	1,00			--
0035	MPVR40198		CAP G 5000	1,00			--
0036	MPVR40495		CAP G 5100 REM.	1,00			--
0037	PVVR40119		CONNECTION M22X1,5 IRV G5000	1,00			--
0038	RCIN40048		GUDGEON G 1/4 F IRV G6000/2	1,00			--
0039	GUVR40034		ANTI-EXTR.RING D. 10 X14	1,00			--
0040	GUGO63555		O-RING D. 9.3 X 2,4 VIT 75SH	1,00			--

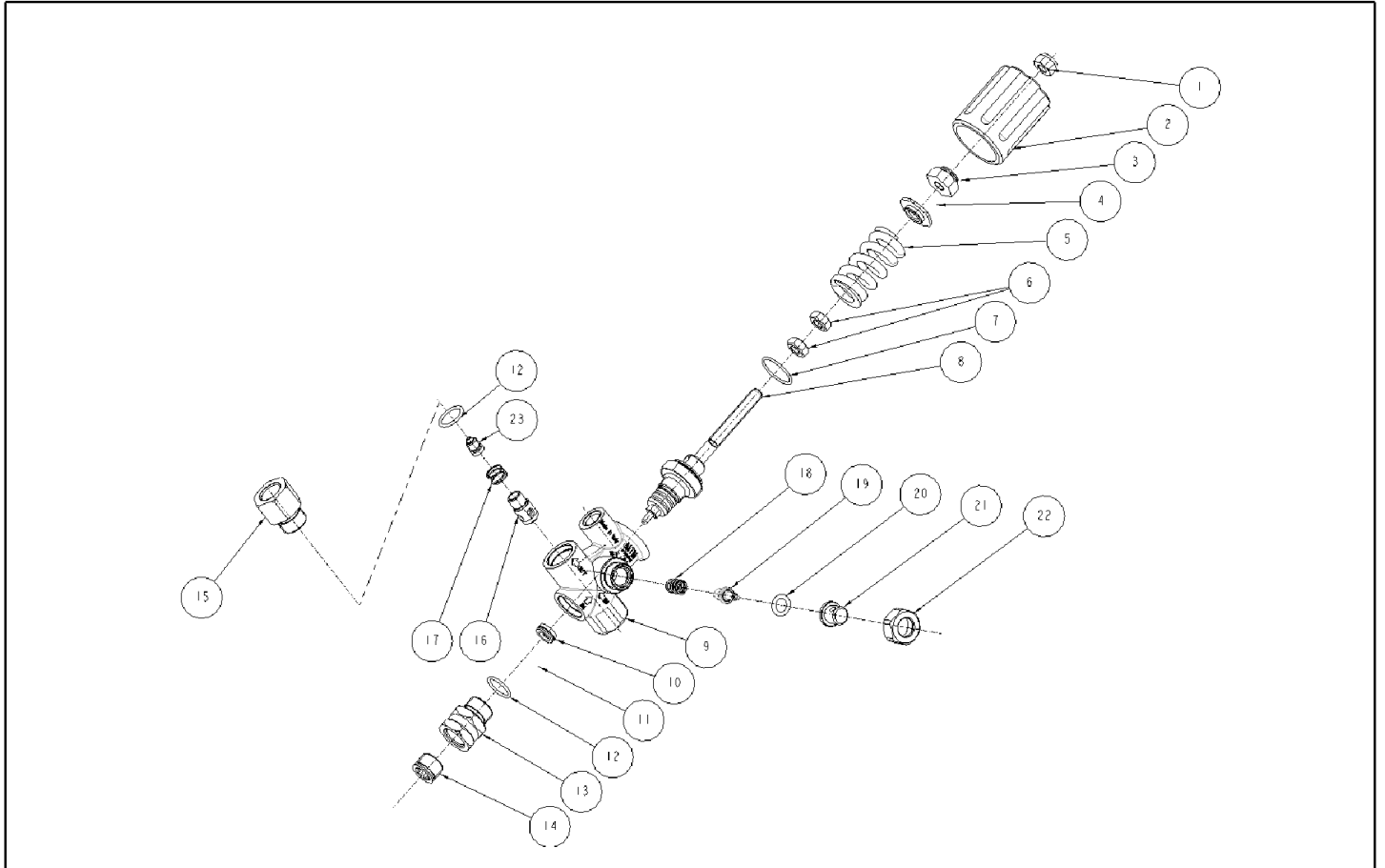




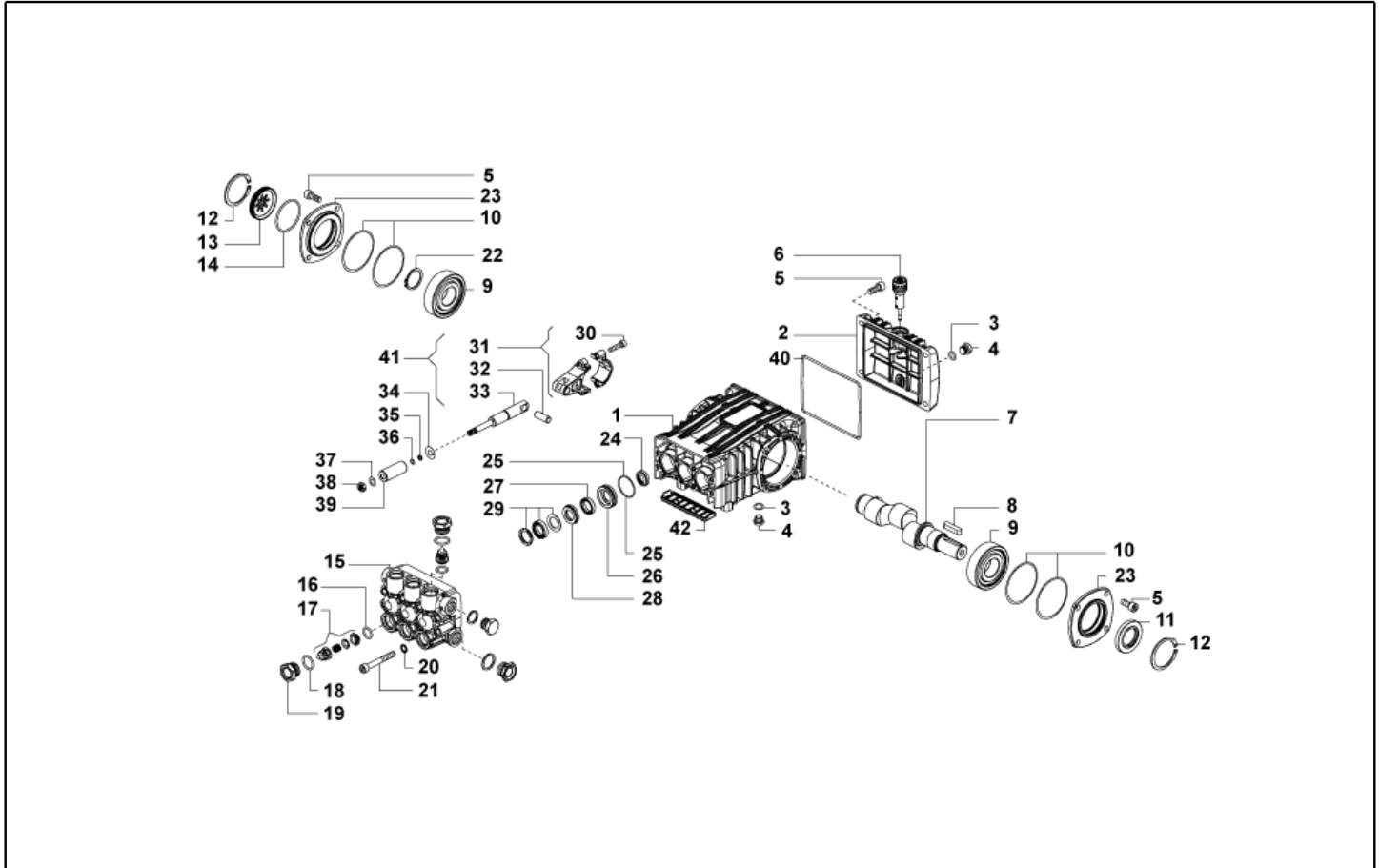
Ref. Part n.	Part n. 2	Description	Reference	Price
KTRI40243		KIT P 26- 26 SWIVEL G 5100	0015 0016 0017	--
KTRI40513		KIT P 26- 36 G 6000/II	0002 0003 0005 0006 0007 0024	--



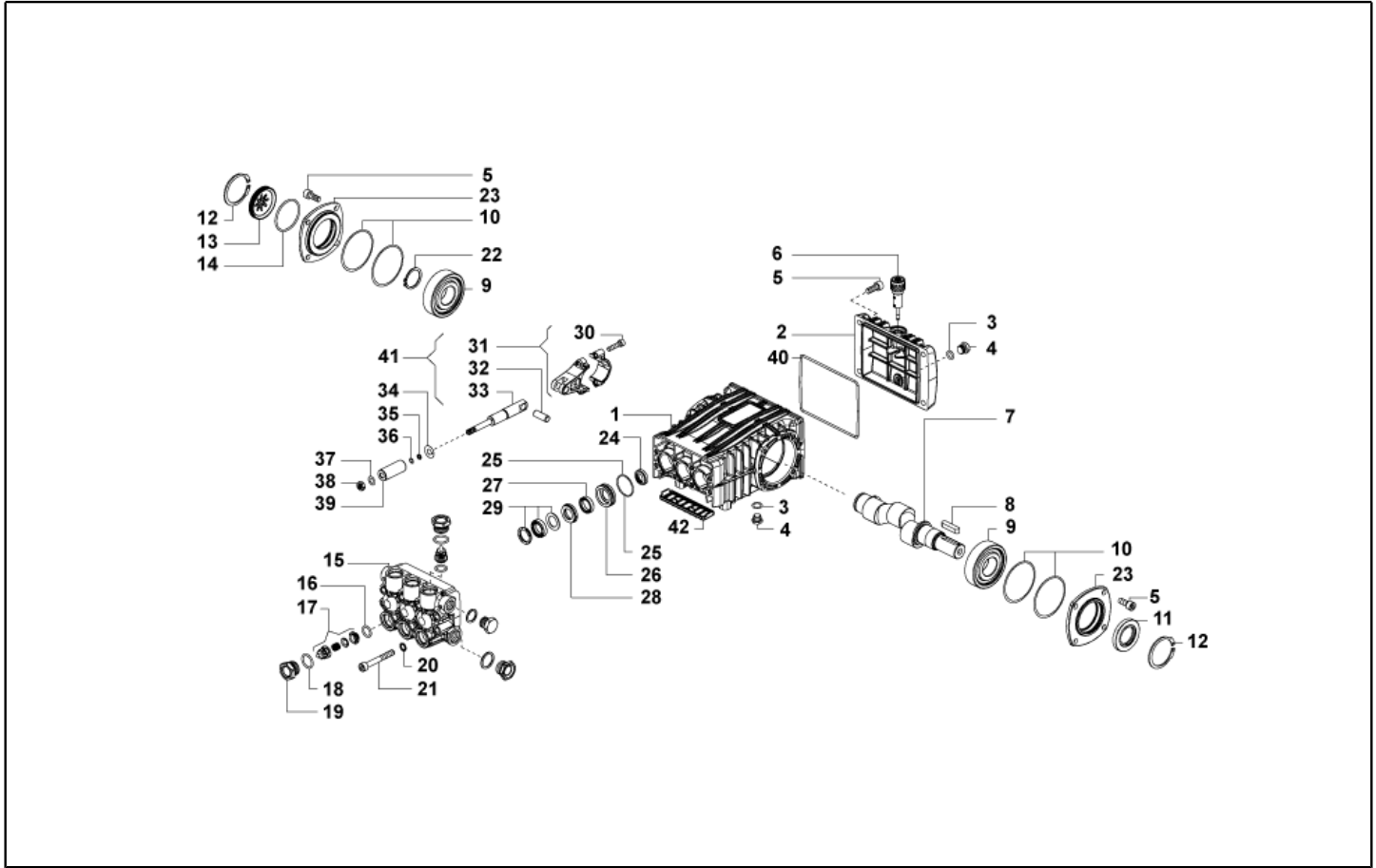
Ref. K	Part n.	Part n. 2	Description	Quantity	Validity		Price
					From	To	
0001	VTVR46568		PLUG G 4500	1,00			--
0004	MPVR46563		COVER G 4500	1,00		30/04/2008	--
0004	MPVR40157		COVER G 4500 2V.	1,00	01/05/2008		--
0005	MPVR46572		SPACER P 330 ST	1,00			--
0006	LCPR46571		TUBE 1/4 L=352 ZC.	1,00		30/04/2008	--
0006	LCPR40007		TUBE 1/4 L=352 ZC. 2V.	1,00	01/05/2008		--
0008	MPVR46569		PLATE G 4500 RD.	1,00			--
0009	MPVR40057		TRIGGER G 4500 -SW	1,00			--
0010	PVVR40030		SMALL PISTON TM ST-2300	1,00			--
0011	GUGO10384		O-RING D. 10 X 2.2 VIT 80SH	1,00			--
0012	RCVR13030		GUDGEON G 1/4 F L=31.5	1,00			--
0013	GUVR10526		ANTI-EXTR.RING D.13.9X10.2 C.BZ	1,00			--
0014	MPVR46570		PROTECTION P 330 ST	1,00			--
0015	PVVR13445		CONNECTION M 22X1,5 L=45	1,00			--
0016	MPVR40058		RING NUT G4500 SW.	1,00			--
0017	RCIN40001		JOINT SWIV 4500 3/8"F	1,00		30/04/2008	--
0017	RCIN40005		JOINT SWIV 4500 3/8"F 2V.	1,00	01/05/2008		--
0018	RCIN31641		CONNECTOR SWIV 1500 F	1,00			--
0019	KTRI31645		KIT P 26- 14	1,00			--
0021	PVVR40031		ROD ST-2300	1,00			--
0022	MPVR46562		SHELL G 4500	1,00		30/04/2008	--
0022	MPVR40156		SHELL G 4500 2V.	1,00	01/05/2008		--
0023	PVVR40023		TUBE G 1/4" M/M P/SW.	1,00			--
0024	GUGO27021		O-RING D. 11 X 2.5 EPD 70SH	1,00	01/05/2008		--



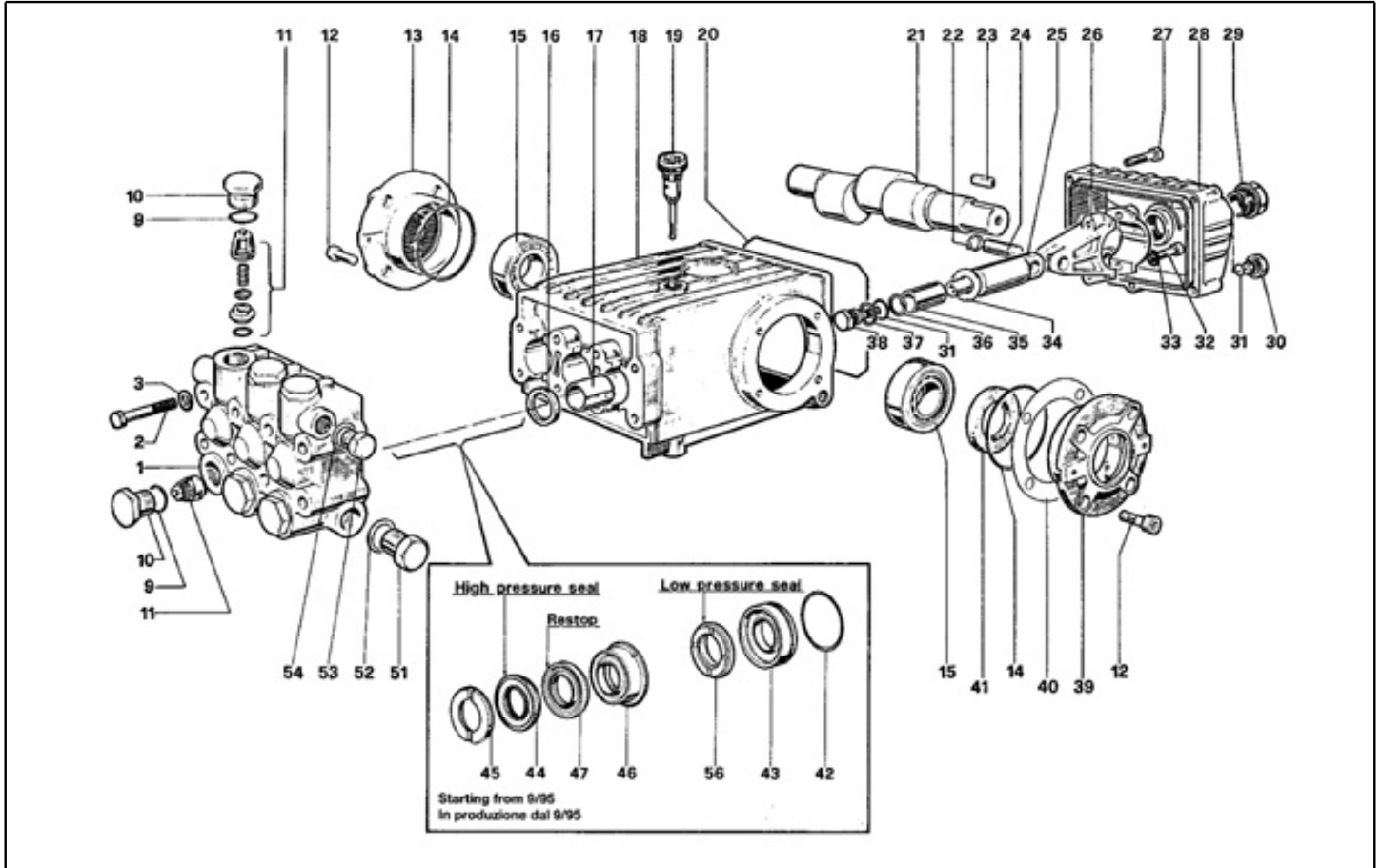
Ref. K	Part n.	Part n. 2	Description	Quantity	Validity		Price
					From	To	
0001	VTDD89669		NUT M 8 X1 AUT. INX A2	1,00			--
0002	MPVR40002		KNOB BP9 BK.	1,00			--
0003	VTDD88134		NUT M 8 BY-PASS BP91	1,00			--
0004	PVVR88140		SPRING PLATE BP91	1,00			--
0005	MLML40014		SPRING D.15.6 X29.6 L=51.5 310B.	1,00			--
0006	VTDD40000		NUT M 8 X1 UNI5588 INX A2	2,00			--
0007	GUGO11652		O-RING D. 12.42 X 1.78 NBR 70SH	1,00			--
0008	PVVR40016		PUSH ROD BP9 CP.	1,00			--
0009	PVVR40107		VALVE BODY BP 93 3/8"	1,00			--
0010	PVVR88135		INSERT BY-PASS BP91	1,00			--
0011	SFVR88141		BALL D.17/32" AISI 440	1,00			--
0012	GUGO03505		O-RING D. 15.6 X 1.78 NBR 70SH	2,00			--
0013	PVVR88138		CONNECTOR EASY-ST. BP91	1,00			--
0014	PVVR88139		CAP 3/8 M BP91	1,00			--
0015	PVVR49638		CONNECTOR BP91 3/8F	1,00			--
0016	PVVR49636		SMALL PISTON BP91 C/OR	1,00			--
0017	MLML49637		SPRING BP91	1,00			--
0018	MLML40015		SPRING D. 9,2X18,26X1 BP 93	1,00		31/05/2018	--
0019	PVVR40108		ELEMENT TH. BP 93	1,00		31/05/2018	--
0019	VVSC40022		VALVE 3/8" ML610 56° 10b.	1,00	01/06/2018		--
0020	GUGO28927		O-RING D. 9.13 X 2.62 NBR 70SH	1,00		31/05/2018	--
0021	PVVR40109		CONNECTOR BP 93	1,00		31/05/2018	--
0022	PVVR40110		RING NUT M18X1 BP 93	1,00		31/05/2018	--
0022	RCVR38072		REDUCTION 3/8-1/4 M/F A4Z SKD.F	1,00	01/06/2018		--



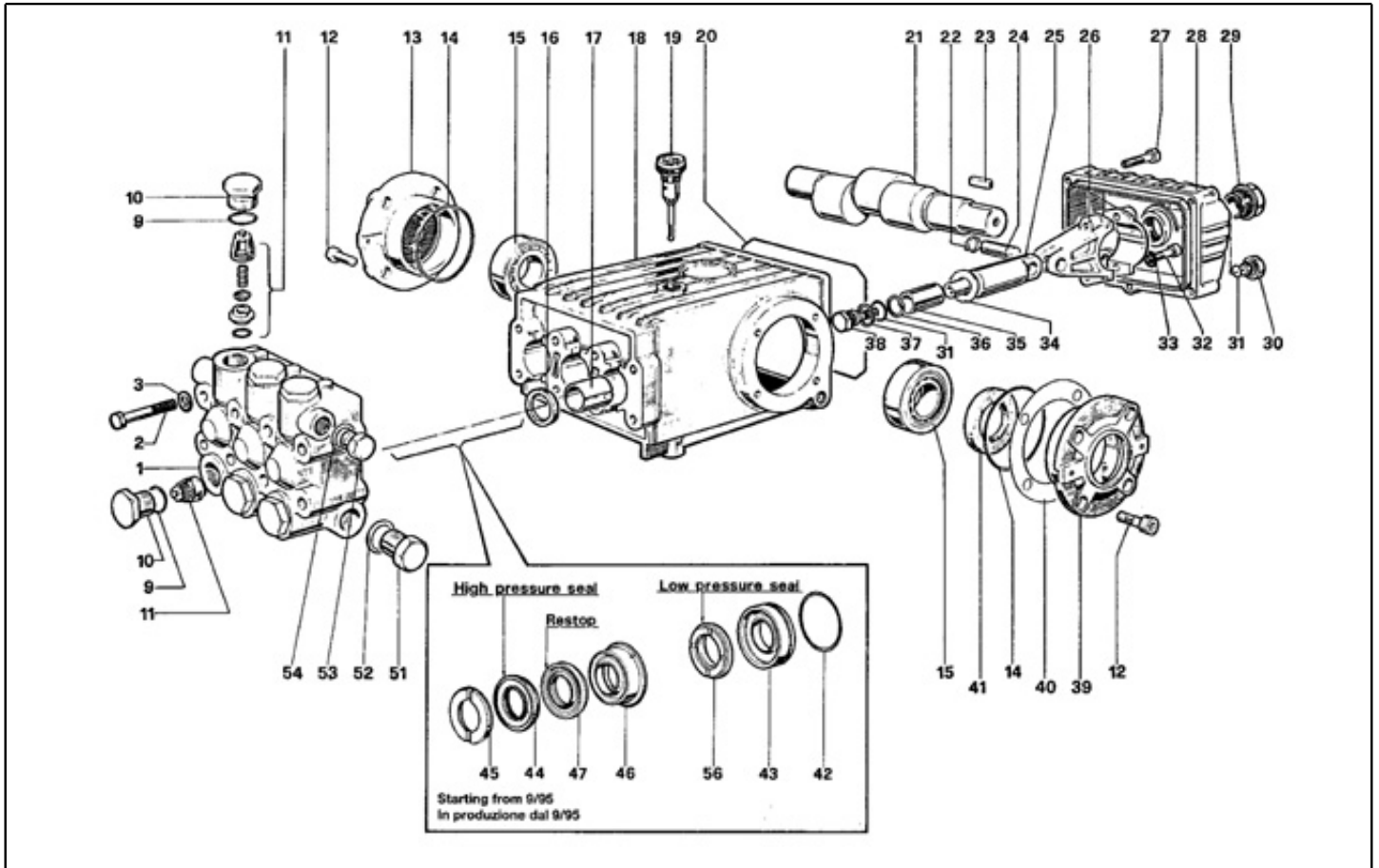
Ref. K	Part n.	Part n. 2	Description	Quantity	Validity		Price
					From	To	
0001	MFVR40119		PUMP CRANKCASE B/BK	1,00			--
0002	MFVR40118		CRANKASE COVER "B/BK" PST.	1,00			--
0003	GUGO28927		O-RING D. 9.13 X 2.62 NBR 70SH	2,00			--
0004	PVVR40620		CAP 1/4 M PKC	2,00			--
0005	VTVT29810		SCREW TCEI M 8X20 UNI 5931	12,00			--
0006	PVVR40640		OIL CAP B/BC	1,00			--
0007	ALMO40058		SHAFT B/BK 18 D.24 UD	1,00			--
0008	VTVR41531		KEY 8X 7X35 UNI 6604A	1,00			--
0009	CUVR40030		BALL BEARING D.30	2,00			--
0010	GUGO40127		O-RING D. 68 NBR 70SH	4,00			--
0011	GUGO40125		OIL SEAL D. 30 BC	1,00			--
0012	VTAE17056		CIRCLIP D. 52 UNI 7435	2,00			--
0013	PVVR40636		OIL INDICATOR B/BK	1,00			--
0014	GUGO02267		O-RING D. 44.12 X 2.62 NBR -70SH	1,00			--
0015	MFVR40121		HEAD B OT.	1,00			--
0016	S GUGO01035		O-RING D. 13.95 X 2.62 NBR 70SH	6,00			--
0017	S VVAM40016		VALVE UNIT PK/MPKW	6,00			--
0018	GUGO03502		O-RING D. 17.86 X 2.62 NBR 70SH	6,00			--
0019	PVVR40621		CAP PK/B D.15/18/20 OT	6,00			--
0020	VTRS14242		WASHER D. 8.4X13X0.8 UNI7064 SCH	8,00			--
0021	VTVT01121		SCREW TCEI 8X60 UNI5931	8,00			--
0022	VTAE00053		CIRCLIP D. 30 UNI 7437	1,00			--
0023	MFVR40120		FLANGE "B/BK"	2,00			--
0024	GUGO40122		OIL SEAL D. 15 PKC	3,00			--
0025	S GUGO01039		O-RING D. 31.47 X 1.78 NBR 70SH	3,00			--
0026	S PVVR40638		PACKING RETAIN. D. 18 "B/BC"	3,00			--
0027	S GUVR40135		PACKING D. 18 UD	3,00			--
0028	S PVVR40635		INTERMED. RING D. 18 B/BK	3,00			--
0029	S PVVR40617		HEAD RING D. 18 PK/M	3,00			--
0030	VTVT01532		SCREW TE 6X25 UNI5739	6,00			--
0031	BLVR40015		CONNECTING ROD B/BK AL	3,00			--
0032	PVVR40639		GUDGEON D. 10X27 B/BK	3,00			--
0033	PVVR40634		PISTON GUIDE B/BK	3,00			--
0034	S PVVR40616		DISC PN/PK	3,00			--
0035	S GUVR40136		ANTI-EXTR.RING D. 5.2X 8 X1.5 UD	3,00			--
0036	S GUGO08071		O-RING D. 4.48 X 1.78 NBR 70SH	3,00			--
0037	S VTRS19394		WASHER D. 8X13X0.5	3,00			--
0038	S VTDD40022		NUT SERR. PN/PK	3,00			--
0039	PIVR40029		PISTON D.18 B/BC CER.	3,00			--
0040	GUGO40126		O-RING D. 126.67 X 2.62 NBR 70SH	1,00			--
0041	BLVR40016		CONNECTING ROD B/BK AL CP.	3,00			--
0042	PVVR40637		COVER B/BK	1,00			--



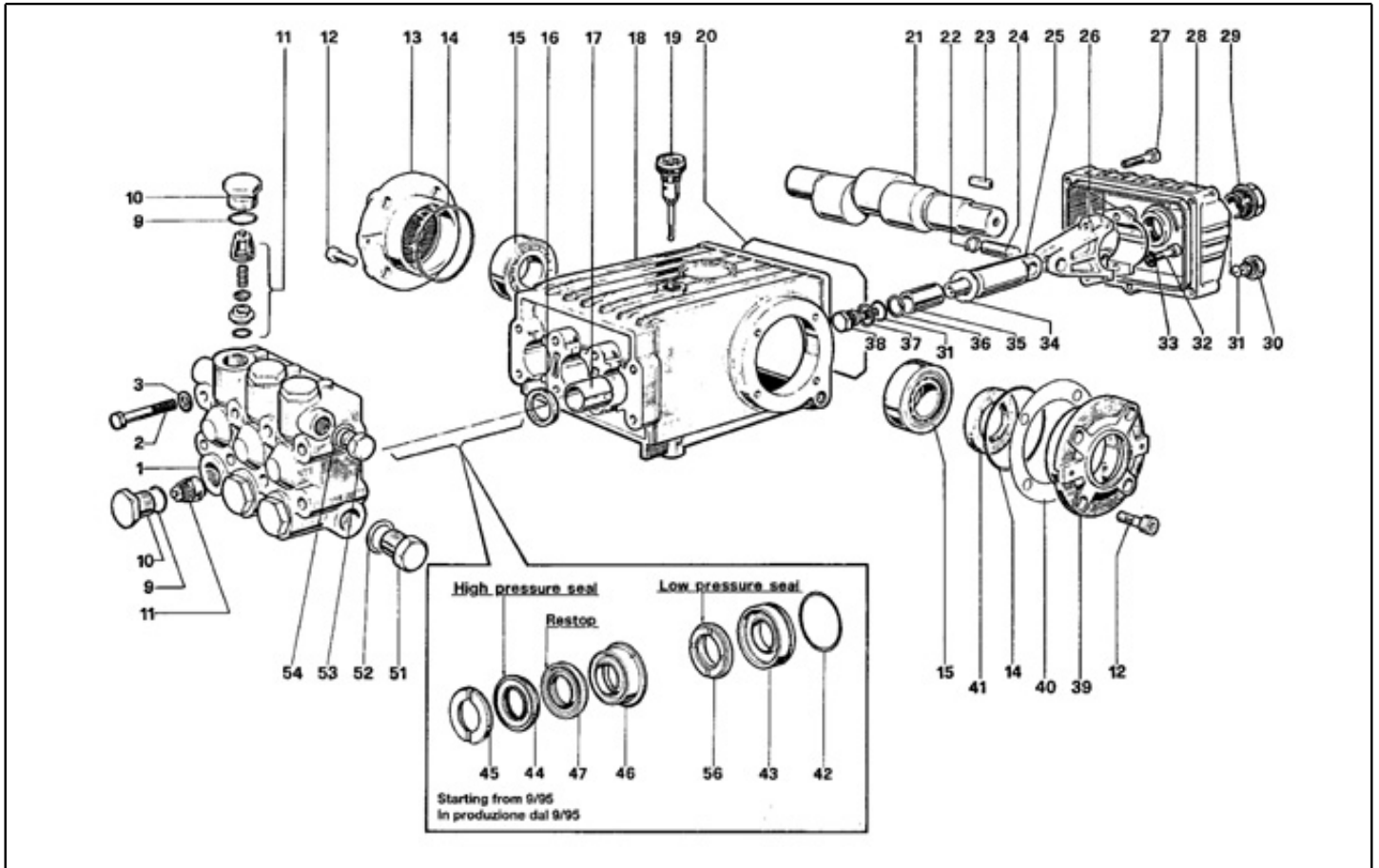
Ref. Part n.	Part n. 2	Description	Reference	Price
KTRI40617		KIT N. 2 GR.VAM	0016 0017	--
KTRI40626		KIT N.28 D.18	0025 0027 0029	--
KTRI40627		KIT N.206 B/BK D.18	0034 0035 0036 0037 0038	--
KTRI40628		KIT N.208 BK.RING D.18	0025 0026 0028	--



Ref. K	Part n.	Part n. 2	Description	Quantity	Validity		Price
					From	To	
0001	MFVR01097		HEAD W 151	1,00			--
0002	VTVT01111		SCREW TE M 8X70 UNI 5737 A.10.9	8,00			--
0003	VTRS01072		WASHER D. 8 TC	8,00			--
0009	S GUGO01033		O-RING D. 20.24 X 2.62 NBR 90SH	6,00			--
0010	S RCDS01087		CAP M24X2X16 OTT	6,00			--
0011	S VVAM01104		VALVE UNIT W 70-151	6,00			--
0012	VTVT01118		SCREW TCEI M 8X16 ZC. UNI 5931	8,00			--
0013	MFVR03576		CRANKASE COVER W151	1,00			--
0014	GUGO01041		O-RING D. 67.95 X 2.62 NBR 70SH	2,00			--
0015	CUVR09205		ROLLER BEARING 32206 A	2,00			--
0016	S GUGO01000		OIL SEAL 22X 32X 5 NBR70	3,00			--
0017	PVVR01011		BUSHING W 151	3,00			--
0018	MFVR01013		PUMP CRANKCASE W 151	1,00			--
0019	PVVR01092		OIL DIPSTICK W 151	1,00			--
0020	GUGO34590		O-RING D. 133.02 X 2.62 NBR 70SH	1,00			--
0021	ALMO41530		SHAFT TS 1511 USA	1,00			--
0022	VTAE14016		CIRCLIP D. 12 UNI 7435	6,00			--
0023	VTVR41531		KEY 8X 7X35 UNI 6604A	1,00			--
0024	PVVR01085		GUDGEON D.13X35 W151	3,00			--
0025	PVVR01029		PISTON GUIDE W 151	3,00			--
0026	BLVR01009		CONNECTING ROD W 151	3,00			--
0027	VTVT01116		SCREW TCEI 6X30 UNI5931	5,00			--
0028	MFVR03582		CRANKASE COVER W 151 POS	1,00			--
0029	PVVR01083		OIL INDICATOR G 3/4 W70-151	1,00			--
0030	RCDS01088		CAP 1/4X 9 M WW90	1,00			--
0031	S GUGO01036		O-RING D. 10.82 X 1.78 NBR 70SH	4,00			--
0032	VTVT01120		SCREW TCEI 8X35 UNI5931	6,00			--
0033	VTRS14242		WASHER D. 8.4X13X0.8 UNI7064 SCH	6,00			--
0034	S VTRS01753		WASHER D.14X28 X0,5	3,00			--
0035	PIVR01067		PISTON D.22X50 W 132	3,00			--
0036	S GUVR00994		ANTI-EXTR.RING W151	3,00			--
0037	S VTRS01076		WASHER D.14X18,5X0,5	3,00			--
0038	S PVVR01107		PISTON BOLT IP W151	3,00			--
0039	MFVR03583		CRANKASE COVER W151	1,00			--
0040	PVVR01016		THICKNESS 0,1 W 151	2,00			--
0041	S GUGO01003		OIL SEAL 30X 55X 7 NBR70	1,00			--
0042	S GUGO01042		O-RING D. 34.6 X 1.78 NBR 70SH	3,00			--
0043	S PVVR00978		PACKING RETAIN. W132	3,00			--
0044	S GUVR00982		PACKING W132	3,00			--
0045	S PVVR00986		HEAD RING W132	3,00			--
0046	S PVVR34588		INTERMED. RING W 132 D. 22	3,00			--
0047	S GUVR34586		PACKING D. 22 RESTOP	3,00			--
0051	RCDS01091		CAP 1/2X10 M	1,00			--
0052	VTRS01075		WASHER D.21,5X27 ALL	1,00			--

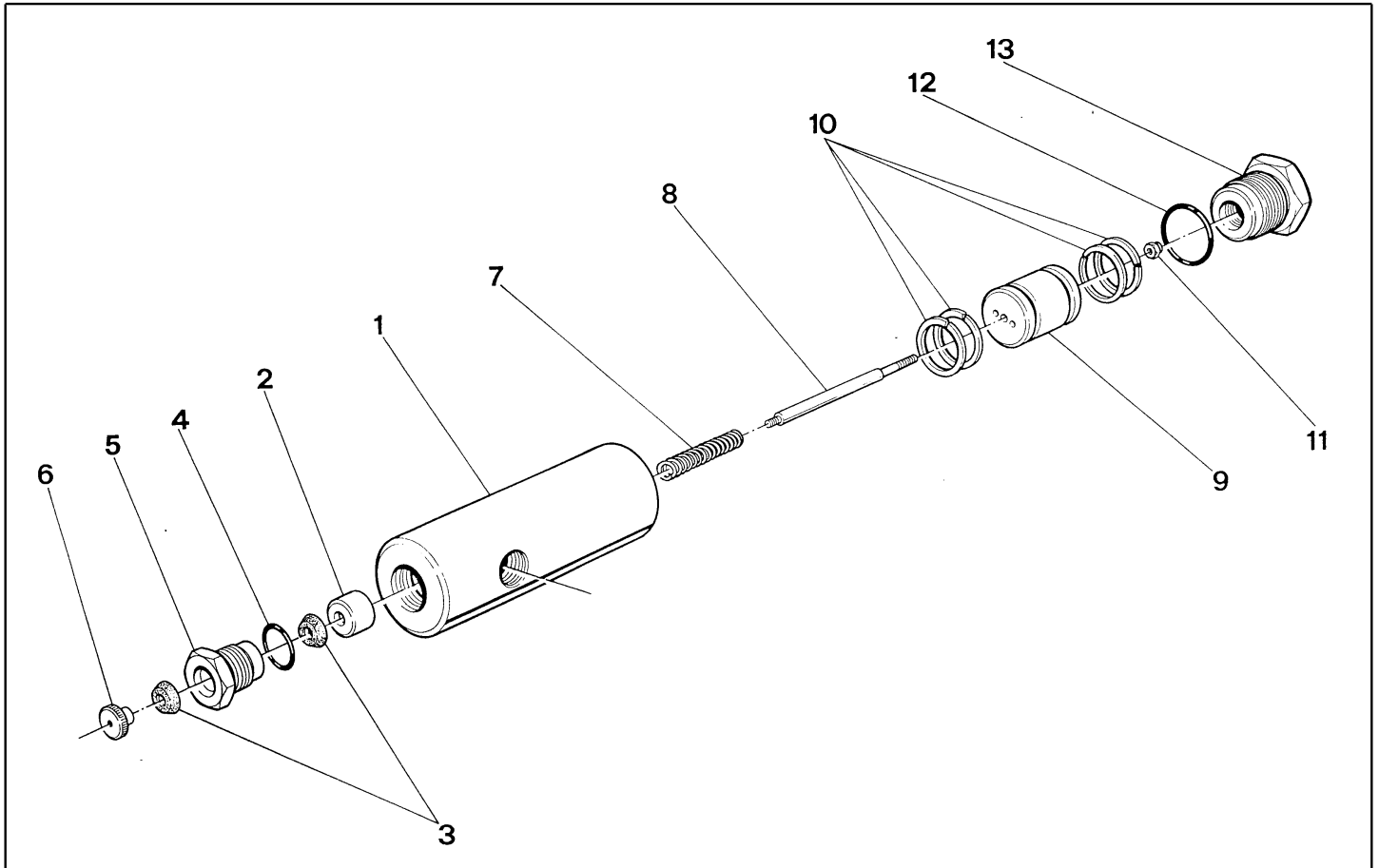


Ref. K	Part n.	Part n. 2	Description	Quantity	Validity		Price
					From	To	
0053	RCDS01090		CAP 3/8X13 M WW90	1,00			--
0054	VTRS01074		WASHER D.17,05X22,3 X1,5	1,00			--
0056	S	GUVR34584	PACKING W 132 L.P.	3,00			--



Ref. Part n.	Part n. 2	Description	Reference	Price
KTRI17795		KIT P 4	0009 0010	--
KTRI17859		KIT P 1	0011	--
KTRI17860		KIT P 15- 2	0016	--
KTRI17793		KIT P 6	0031 0034 0036 0037 0038	--
KTRI14900		KIT P 15- 3	0041	--
KTRI17878		KIT P 14	0042 0043	--
KTRI18590		KIT P 29	0042 0043 0044 0045 0046 0047 0056	--
KTRI18588		KIT P 11	0045	--
KTRI36166		KIT P 148	0044 0047 0056	--
KTRI36133		KIT P 149	0046 0047	--





Ref. K	Part n.	Part n. 2	Description	Quantity	Validity		Price
					From	To	
	GUGO09720		O-RING D. 14 X 1.78 NBR 70SH	1,00			--
	LAFN12871		EXTENSION SF/B HONDA	1,00			--
0001	RCDS08187		BODY	1,00			--
0002	RCDS08188		SPRING GUIDE	1,00			--
0003	GUGO08189		GASKET GACO U037018	2,00			--
0004	GUGO08190		O-RING	1,00			--
0005	RCDS08191		CAP M 16X1,5	1,00			--
0006	PVVR12870		PAWL M 4 G400	1,00			--
0007	MLML08186		SPRING D.1-7,3 L31,5	1,00			--
0008	PVVR12869		ROD M 4.5 G400	1,00			--
0009	RCDS08184		SMALL PISTON	1,00			--
0010	PVVR08183		SPLIT RING D.22-18X1,5	4,00			--
0011	VTDD09556		NUT M3 TEFLON	1,00			--
0012	GUGO08182		O-RING D. 21.91 X 1.78 NBR 70SH	1,00			--
0013	PVVR08181		CAP M 24X1	1,00			--